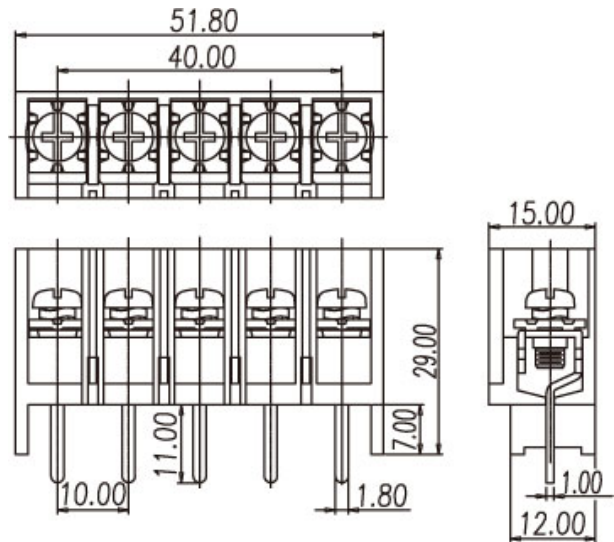


**Barrier Style Terminal Blocks / 0032-01**




**0032-0105**



**Pitch: 10.00mm**

**ORDER GUIDE**

Approval		FW2
<b>Materials</b>		
Rated voltage	600V	
Rated current	25A	
Plastic Housing	PBT, UL94V-0, Black	
Terminal	Brass, Tin plated	
Screw	Steel, M4, Nickel plated	



### Specifications

Working Temperature	-40°C ~ +130°C
Insulation withstand Voltage	AC2200V at 1 minute
Insulation Resistance	1000MΩ or more at DC500V
Wire range	18 ~ 10 AWG
Rated Torque Value	18 Kg - cm

TEL: +886-2-2908-0614

FAX: +886-2-2908-8549

E-mail: [infor@dinkle.com.tw](mailto:infor@dinkle.com.tw)