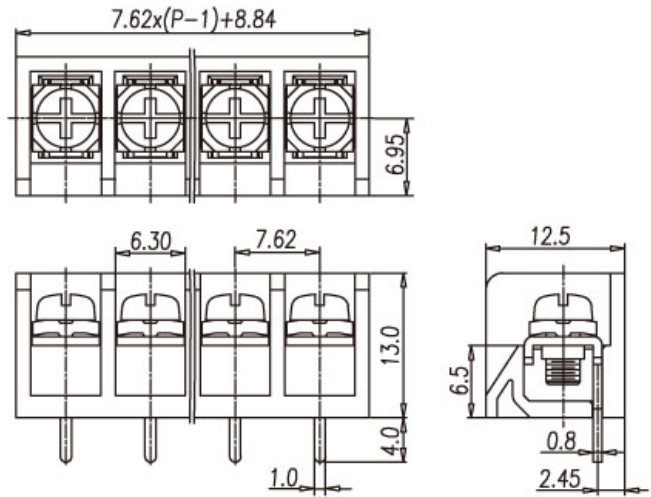


Barrier Style Terminal Blocks / 0032



0032-09XX



Pitch: 7.62mm

ORDER GUIDE

0032 - 09 -
 Pole size: 02~22P

Approval

Materials

Rated voltage	250V
Rated current	6A
Plastic Housing	PBT, UL94V-0, Black
Terminal	Brass, Tin plated
Screw	Steel, M3, Zinc plated



Specifications

Working Temperature	-40°C ~ +130°C
Insulation withstand Voltage	AC2500V at 1 minute
Insulation Resistance	1000MΩ or more at DC500V
Wire range	24 ~ 16 AWG
Rated Torque Value	8 Kg - cm