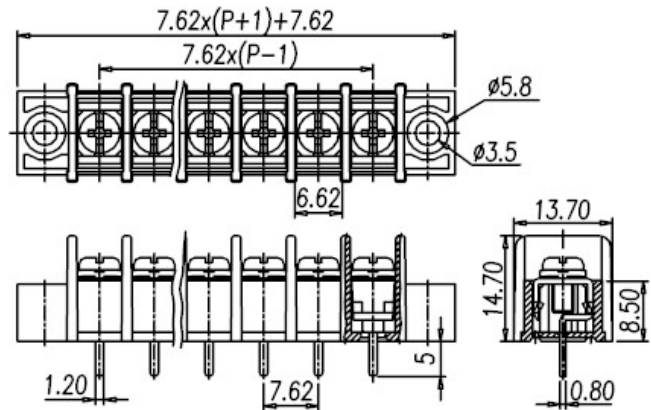


Barrier Style Terminal Blocks / DT-25



DT-25-A01X-XX



Pitch: 7.62mm

ORDER GUIDE

DT - 25 - [] 01 [] - [] []

- Pole size: 02~31P
- N : Round head screw
- W : Screw with washer
- A : Mount Ends
- B : Barrier Ends

Approval



FW2

Materials

Rated voltage	300V
Rated current	15A
Plastic Housing	PA6.6, UL94V-0, Black
Terminal	Brass, Tin plated
Screw	Steel, M3, Nickel plated



Specifications

Working Temperature	-40°C ~ +105°C
Insulation withstand Voltage	AC2000V at 1 minute
Insulation Resistance	500MΩ or more at DC500V
Wire range	22 ~ 14 AWG
Rated Torque Value	13.8 Kg - cm

TEL: +886-2-2908-0614

FAX: +886-2-2908-8549

E-mail: infor@dinkle.com.tw