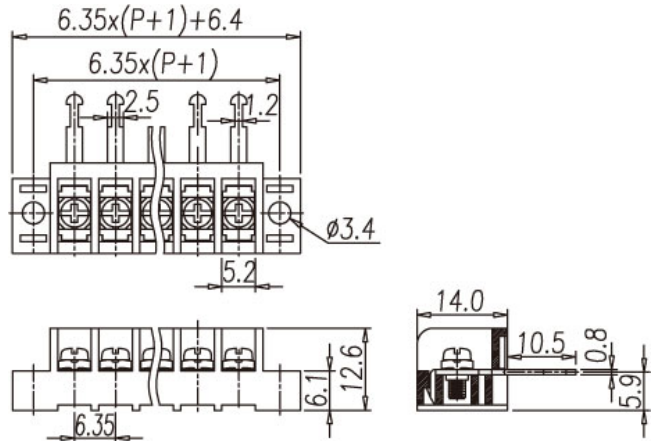


Barrier Style Terminal Blocks / DT-29

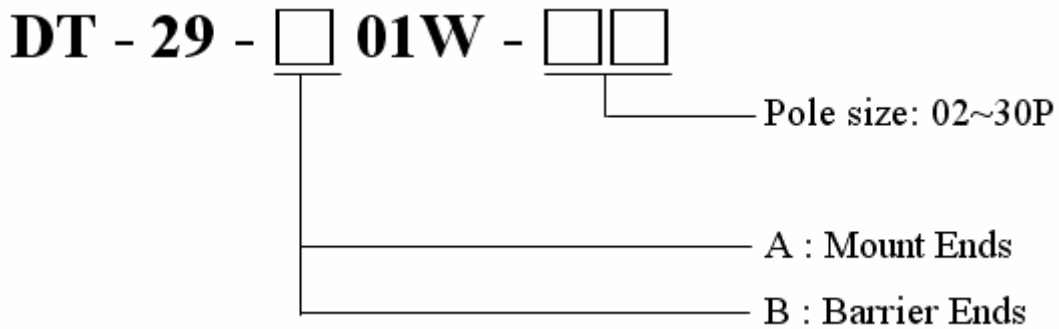


DT-29-A04W-XX



Pitch: 6.35mm

ORDER GUIDE



Approval		FW2
Materials		
Rated voltage	300V	
Rated current	15A	
Plastic Housing	PA6.6, UL94V-0, Black	
Terminal	Brass, Tin plated	
Screw	Steel, M2.6, Nickel plated	



Specifications

Working Temperature	-40°C ~ +105°C
Insulation withstand Voltage	AC2000V at 1 minute
Insulation Resistance	500MΩ or more at DC500V
Wire range	22 ~ 16 AWG
Rated Torque Value	5 Kg - cm

TEL: +886-2-2908-0614

FAX: +886-2-2908-8549

E-mail: infor@dinkle.com.tw