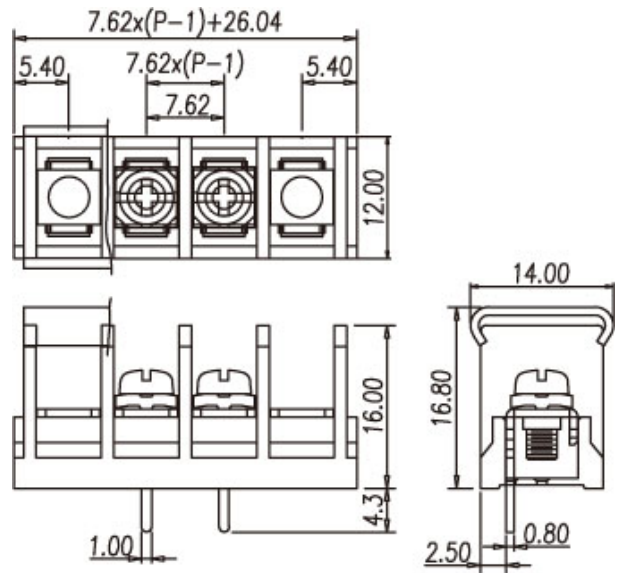


**Barrier Style Terminal Blocks / DT-2G**



**DT-2G-A07X-XX**



**Pitch: 7.62mm**

**ORDER GUIDE**

**DT - 2 □ - □ 07 □ - □ □**

- Pole size : 02~26P
- N : Round head screw
- W : Screw with washer
- A : Mount Ends
- B : Barrier Ends
- G : With cover
- GN : Without cover

Approval



**Materials**

Rated voltage	300V
Rated current	15A
Plastic Housing	PBT, UL94V-0, Black



Terminal	Brass, 0.8t, Tin plated
----------	-------------------------

Screw	Steel, M3, Nickel plated
-------	--------------------------

### Specifications

Working Temperature	-40°C ~ +130°C
---------------------	----------------

Insulation withstand Voltage	AC2000V at 1 minute
------------------------------	---------------------

Insulation Resistance	1000MΩ or more at DC500V
-----------------------	--------------------------

Wire range	22 ~ 14 AWG
------------	-------------

Rated Torque Value	8Kg - cm
--------------------	----------



DINKLE ENTERPRISE

TEL: +886-2-2908-0614

FAX: +886-2-2908-8549

E-mail: [infor@dinkle.com.tw](mailto:infor@dinkle.com.tw)