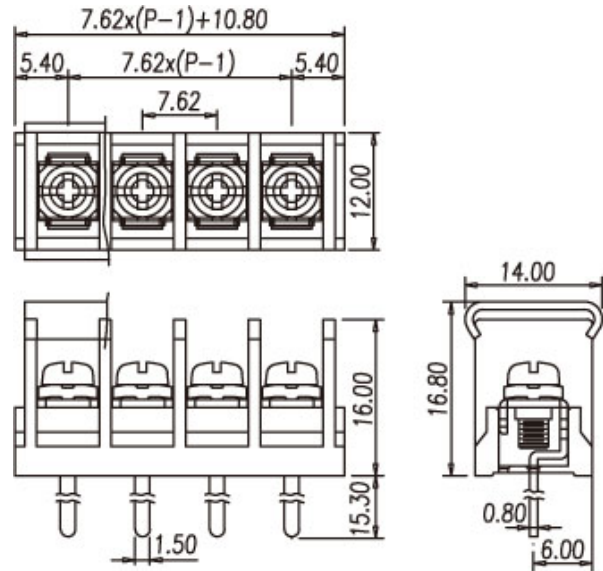
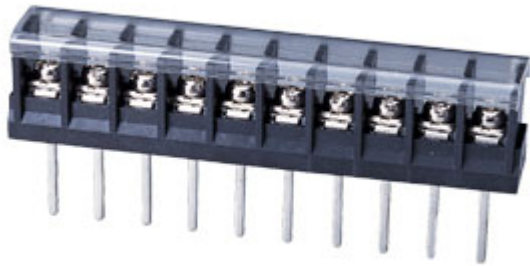


Barrier Style Terminal Blocks / DT-2G



DT-2G-B03X-XX



Pitch: 7.62mm

ORDER GUIDE

DT - 2 - **03** -

- _____ Pole size: 02~28P
- _____ N : Round head screw
- _____ W : Screw with washer
- _____ A : Mount Ends
- _____ B : Barrier Ends
- _____ G : With cover
- _____ GN : Without cover

Approval



FW2

Materials

Rated voltage	300V
Rated current	15A
Plastic Housing	PBT, UL94V-0, Black
Terminal	Brass, Tin plated
Screw	Steel, M3, Nickel plated



Specifications

Working Temperature	-40°C ~ +130°C
Insulation withstand Voltage	AC2000V at 1 minute
Insulation Resistance	1000MΩ or more at DC500V
Wire range	22 ~ 14 AWG
Rated Torque Value	8 Kg - cm