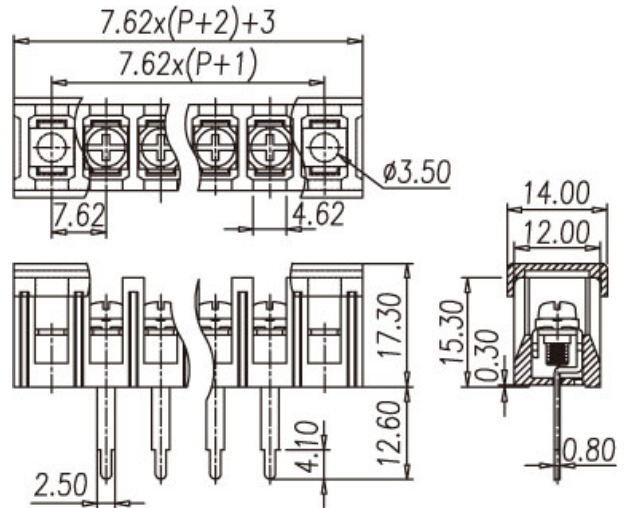


**Barrier Style Terminal Blocks / DT-2**



**DT-2X-A04X-XX**




**Pitch:7.62mm**

**ORDER GUIDE**

**DT - 2**  -  **04**  -

- Pole size: 02~34P
- N : Round head screw
- W : Screw with washer
- A : Mount Ends
- B : Barrier Ends
- C : With cover
- N : Without cover

Approval		FW2
Materials		
Rated voltage	300V	
Rated current	15A	
Plastic Housing	PBT, UL94V-0, Black	
Terminal	Brass, Tin plated	
Screw	Steel, M3, Nickel plated	



### Specifications

Working Temperature	-40°C ~ +130°C
Insulation withstand Voltage	AC2000V at 1 minute
Insulation Resistance	1000MΩ or more at DC500V
Wire range	22 ~ 14 AWG
Rated Torque Value	8 Kg - cm