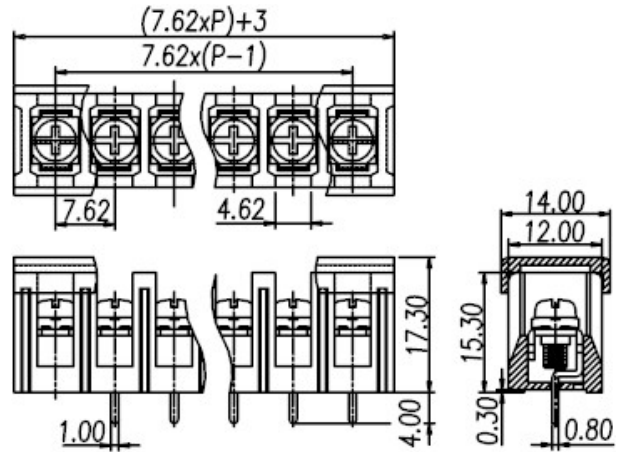


Barrier Style Terminal Blocks / DT-2



DT-2X-B01X-XX



Pitch:7.62mm

ORDER GUIDE

DT - 2 - **01** -

- _____ Pole size: 02~36P
- _____ N : Round head screw
- _____ W : Screw with washer
- _____ A : Mount Ends
- _____ B : Barrier Ends
- _____ C : With cover
- _____ N : Without cover

Approval		FW2
Materials		
Rated voltage	300V	
Rated current	15A	
Plastic Housing	PBT, UL94V-0, Black	
Terminal	Brass, Tin plated	
Screw	Steel, M3, Nickel plated	



Specifications

Working Temperature	-40°C ~ +130°C
Insulation withstand Voltage	AC2000V at 1 minute
Insulation Resistance	1000MΩ or more at DC500V
Wire range	22 ~ 14 AWG
Rated Torque Value	8 Kg - cm