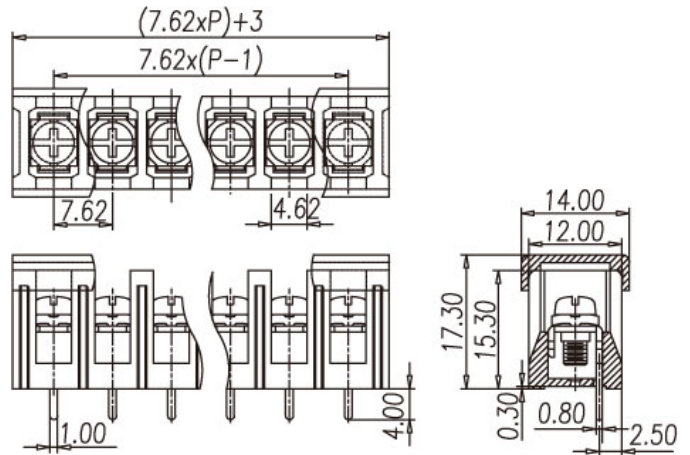


Barrier Style Terminal Blocks / DT-2



DT-2X-B07X-XX




Pitch: 7.62mm

ORDER GUIDE

DT - 2 - **07** -

- Pole size: 02~36P
- N : Round head screw
- W : Screw with washer
- A : Mount Ends
- B : Barrier Ends
- C : With cover
- N : Without cover

| Approval |  | FW2 |
|-----------------|--|-----|
| Materials | | |
| Rated voltage | 300V | |
| Rated current | 15A | |
| Plastic Housing | PBT, UL94V-0, Black | |
| Terminal | Brass, Tin plated | |
| Screw | Steel, M3, Nickel plated | |



Specifications

| | |
|------------------------------|--------------------------|
| Working Temperature | -40°C ~ +130°C |
| Insulation withstand Voltage | AC2000V at 1 minute |
| Insulation Resistance | 1000MΩ or more at DC500V |
| Wire range | 22 ~ 14 AWG |
| Rated Torque Value | 8 Kg - cm |