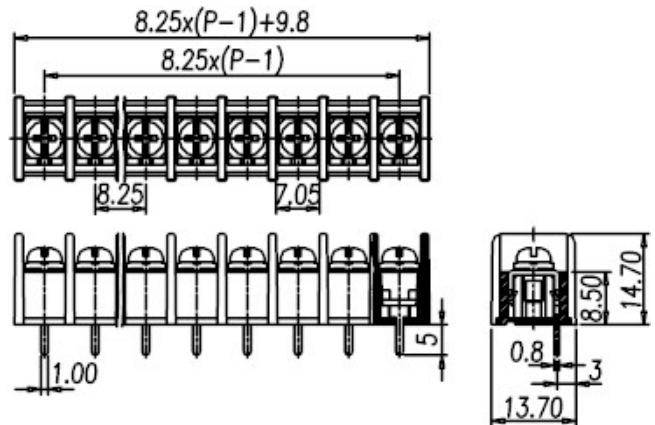


Barrier Style Terminal Blocks / DT-35



DT-35-B07X-XX



Pitch: 8.25mm

ORDER GUIDE

DT - 35 - [] 07 [] - [] []

- Pole size: 02~33P
- N : Round head screw
- W : Screw with washer
- A : Mount Ends
- B : Barrier Ends

Approval



FW2

Materials

Rated voltage	300V
Rated current	20A
Plastic Housing	PA6.6, UL94V-0, Black
Terminal	Brass, Tin plated
Screw	Steel, M3, Nickel plated



Specifications

Working Temperature	-40°C ~ +105°C
Insulation withstand Voltage	AC2000V at 1 minute
Insulation Resistance	500MΩ or more at DC500V
Wire range	22 ~ 12 AWG
Rated Torque Value	13.8 Kg - cm