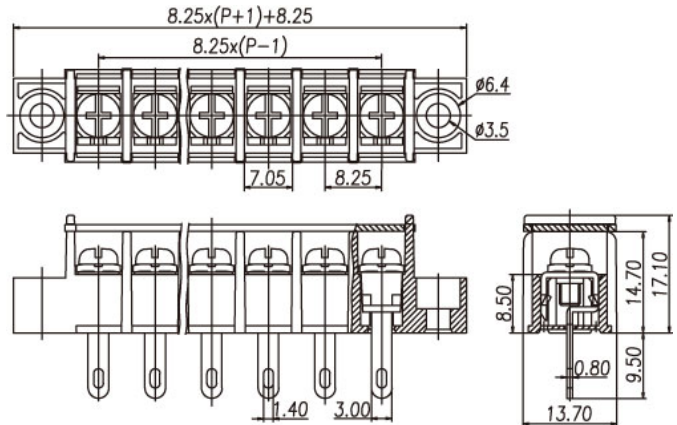


**Barrier Style Terminal Blocks / DT-35C**



**DT-35C-A02X-XX**



**Pitch: 8.25mm**

**ORDER GUIDE**

**DT - 35C -  02  -**

- Pole size: 02~31P
- N : Round head screw
- W : Screw with washer
- A : Mount Ends
- B : Barrier Ends

|                  |                          |     |
|------------------|--------------------------|-----|
| Approval         |                          | FW2 |
| <b>Materials</b> |                          |     |
| Rated voltage    | 300V                     |     |
| Rated current    | 20A                      |     |
| Plastic Housing  | PA6.6, UL94V-0, Black    |     |
| Terminal         | Brass, Tin plated        |     |
| Screw            | Steel, M3, Nickel plated |     |



### Specifications

|                              |                         |
|------------------------------|-------------------------|
| Working Temperature          | -40°C ~ +105°C          |
| Insulation withstand Voltage | AC2000V at 1 minute     |
| Insulation Resistance        | 500MΩ or more at DC500V |
| Wire range                   | 22 ~ 12 AWG             |
| Rated Torque Value           | 13.8 Kg - cm            |