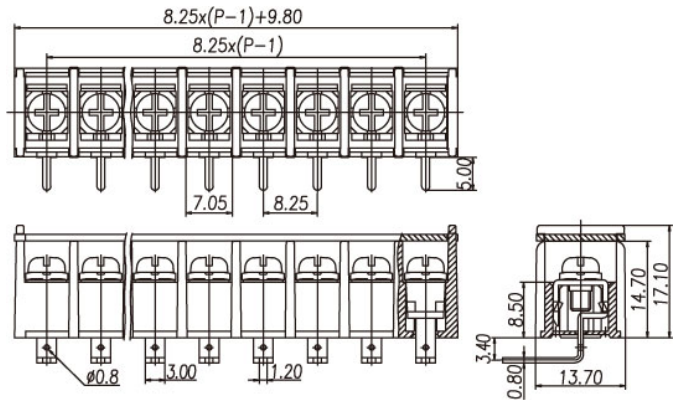


**Barrier Style Terminal Blocks / DT-35C**



**DT-35C-B14X-XX**



**Pitch: 8.25mm**

**ORDER GUIDE**

**DT - 35C -  14  -**

- Pole size: 02~33P
- N : Round head screw
- W : Screw with washer
- A : Mount Ends
- B : Barrier Ends

Approval



FW2

**Materials**

Rated voltage	300V
Rated current	20A
Plastic Housing	PA6.6, UL94V-0, Black
Terminal	Brass, Tin plated
Screw	Steel, M3, Nickel plated



### Specifications

Working Temperature	-40°C ~ +105°C
Insulation withstand Voltage	AC2000V at 1 minute
Insulation Resistance	500MΩ or more at DC500V
Wire range	22 ~ 12 AWG
Rated Torque Value	13.8 Kg - cm

TEL: +886-2-2908-0614

FAX: +886-2-2908-8549

E-mail: [infor@dinkle.com.tw](mailto:infor@dinkle.com.tw)