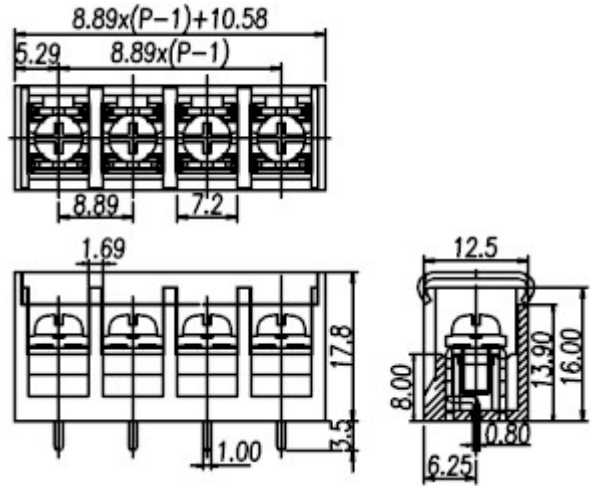


**Barrier Style Terminal Blocks / DT-3C**



**DT-3C-B01W-XX**



**Pitch:8.89mm**

ORDER GUIDE

**DT - 3C - B01W -**

Pole size: 02~17P

Approval

**Materials**

Rated voltage	250V
Rated current	15A
Plastic Housing	PBT, UL94V-0, Black
Terminal	Brass, Tin plated
Screw	Steel, M3.5, Nickel plated



### Specifications

Working Temperature	-40°C ~ +130°C
Insulation withstand Voltage	AC2000V at 1 minute
Insulation Resistance	1000MΩ or more at DC500V
Wire range	22 ~ 12 AWG
Rated Torque Value	10 Kg – cm