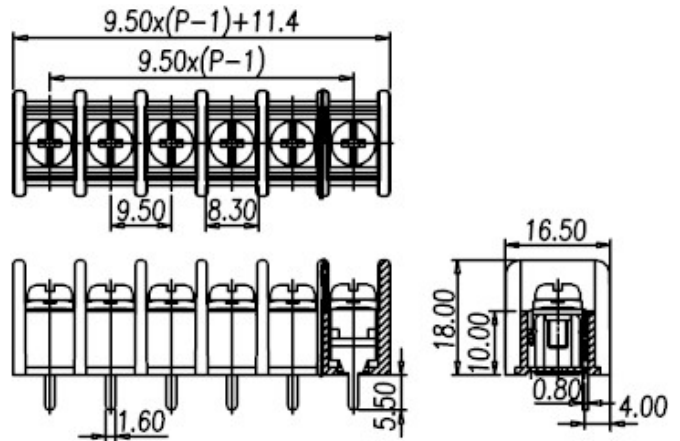


Barrier Style Terminal Blocks / DT-45



DT-45-B06X-XX



Pitch: 9.50mm

ORDER GUIDE

DT - 45 - [] 06 [] - [] []

- Pole size: 02~30P
- N : Round head screw
- W : Screw with washer
- A : Mount Ends
- B : Barrier Ends

Approval



FW2

Materials

Rated voltage	300V
Rated current	25A
Plastic Housing	PA6.6, UL94V-0, Black
Terminal	Brass, Tin plated
Screw	Steel, M3.5, Nickel plated



Specifications

Working Temperature	-40°C ~ +105°C
Insulation withstand Voltage	AC2000V at 1 minute
Insulation Resistance	500MΩ or more at DC500V
Wire range	22 ~ 12 AWG
Rated Torque Value	13.8 Kg - cm