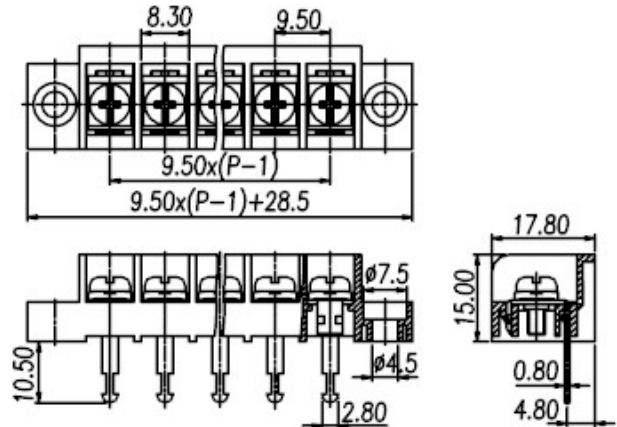


Barrier Style Terminal Blocks / DT-49



DT-49-A03X-XX





Pitch: 9.50mm

ORDER GUIDE

DT - 49 - [] 01 [] - [] []

- Pole size: 02~27P
- N : Round head screw
- W : Screw with washer
- A : Mount Ends
- B : Barrier Ends

| | | |
|------------------|---|-----|
| Approval |   | FW2 |
| Materials | | |
| Rated voltage | 300V | |
| Rated current | 25A | |
| Plastic Housing | PA6.6, UL94V-0, Black | |
| Terminal | Brass, Tin plated | |
| Screw | Steel, # 6-32, Nickel plated | |



Specifications

| | |
|------------------------------|-------------------------|
| Working Temperature | -40°C ~ +105°C |
| Insulation withstand Voltage | AC2000V at 1 minute |
| Insulation Resistance | 500MΩ or more at DC500V |
| Wire range | 22 ~ 12 AWG |
| Rated Torque Value | 13.8 Kg - cm |