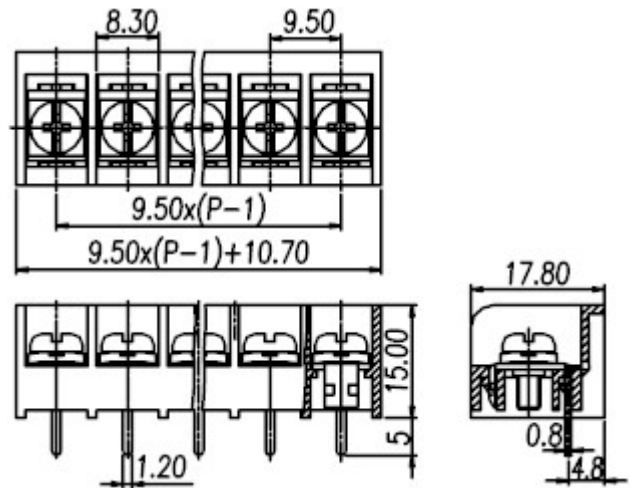


**Barrier Style Terminal Blocks / DT-49**



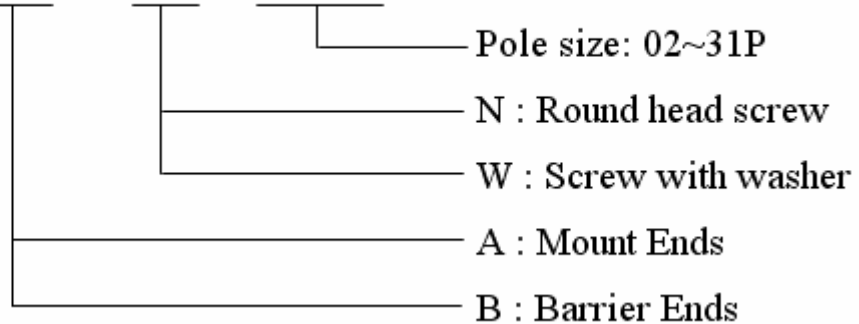
**DT-49-B01X-XX**



**Pitch: 9.50mm**

**ORDER GUIDE**

**DT - 49 - [ ] 01 [ ] - [ ] [ ]**



Approval		FW2
<b>Materials</b>		
Rated voltage	300V	
Rated current	25A	
Plastic Housing	PA6.6, UL94V-0, Black	
Terminal	Brass, Tin plated	
Screw	Steel, # 6-32, Nickel plated	



### Specifications

Working Temperature	-40°C ~ +105°C
Insulation withstand Voltage	AC2000V at 1 minute
Insulation Resistance	500MΩ or more at DC500V
Wire range	22 ~ 12 AWG
Rated Torque Value	13.8 Kg - cm