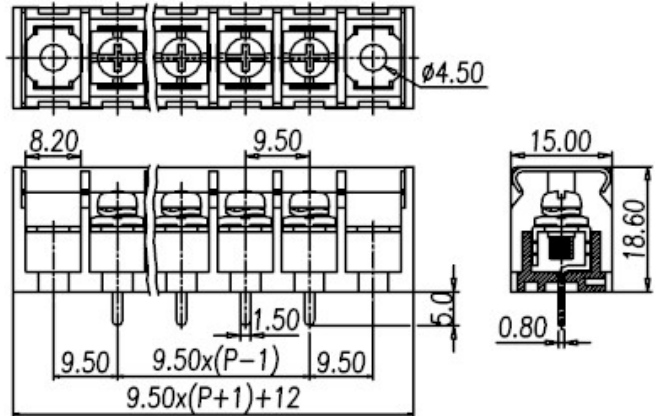


**Barrier Style Terminal Blocks / DT-4**



**DT-4X-A01W-XX**



**Pitch: 9.50mm**

**ORDER GUIDE**

**DT - 4**  -  **01W** -

- \_\_\_\_\_ Pole size: 02~23P
- \_\_\_\_\_ A : Mount Ends
- \_\_\_\_\_ B : Barrier Ends
- \_\_\_\_\_ C : With cover
- \_\_\_\_\_ N : Without cover

Approval



FW2

**Materials**

Rated voltage	300V
Rated current	20A
Plastic Housing	PBT, UL94V-0, Black
Terminal	Brass, Tin plated
Screw	Steel, M3.5, Nickel plated



### Specifications

Working Temperature	-40°C ~ +130°C
Insulation withstand Voltage	AC2000V at 1 minute
Insulation Resistance	1000MΩ or more at DC500V
Wire range	22 ~ 12 AWG
Rated Torque Value	11.5 Kg - cm

TEL: +886-2-2908-0614

FAX: +886-2-2908-8549

E-mail: [infor@dinkle.com.tw](mailto:infor@dinkle.com.tw)