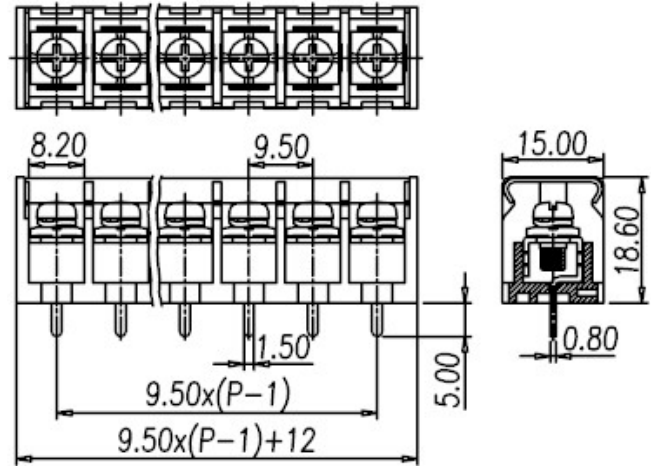


Barrier Style Terminal Blocks / DT-4



DT-4X-B01W-XX




Pitch: 9.50mm

ORDER GUIDE

DT - 4 - **01W** -

- _____ Pole size: 02~25P
- _____ A : Mount Ends
- _____ B : Barrier Ends
- _____ C : With cover
- _____ N : Without cover

Approval		FW2
Materials		
Rated voltage	300V	
Rated current	20A	
Plastic Housing	PBT, UL94V-0, Black	
Terminal	Brass, Tin plated	
Screw	Steel, M3.5, Nickel plated	



Specifications

Working Temperature	-40°C ~ +130°C
Insulation withstand Voltage	AC2000V at 1 minute
Insulation Resistance	1000MΩ or more at DC500V
Wire range	22 ~ 12 AWG
Rated Torque Value	11.5 Kg - cm