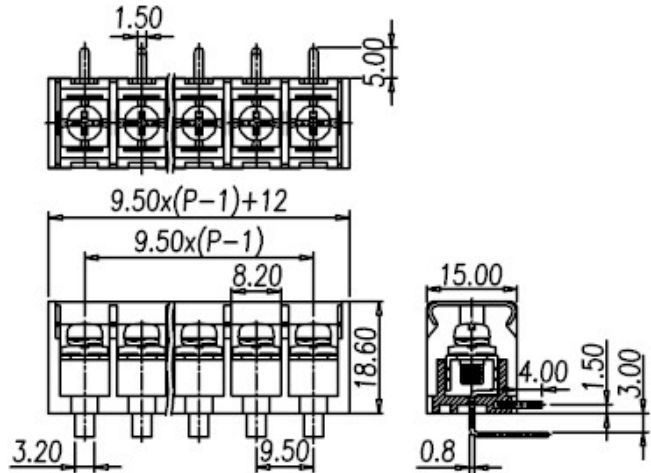


Barrier Style Terminal Blocks / DT-4



DT-4X-B14W-XX



Pitch: 9.50mm

ORDER GUIDE

DT - 4 - **14W** -

- Pole size: 02~25P
- A : Mount Ends
- B : Barrier Ends
- C : With cover
- N : Without cover

Approval



FW2

Materials

Rated voltage	300V
Rated current	20A
Plastic Housing	PBT, UL94V-0, Black
Terminal	Brass, Tin plated
Screw	Steel, M3.5, Nickel plated



Specifications

Working Temperature	-40°C ~ +130°C
Insulation withstand Voltage	AC2000V at 1 minute
Insulation Resistance	1000MΩ or more at DC500V
Wire range	22 ~ 12 AWG
Rated Torque Value	11.5 Kg - cm