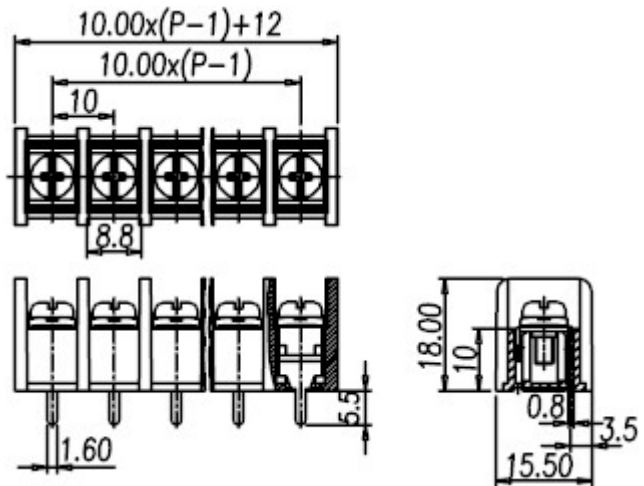


**Barrier Style Terminal Blocks / DT-55**



**DT-55-B06X-XX**





**Pitch: 10.00mm**

**ORDER GUIDE**

**DT - 55 -  06  -**

- Pole size: 02~30P
- N : Round head screw
- W : Screw with washer
- A : Mount Ends
- B : Barrier Ends

Approval	 	FW2
<b>Materials</b>		
Rated voltage	300V	
Rated current	25A	
Plastic Housing	PA6.6, UL94V-0, Black	
Terminal	Brass, Tin plated	
Screw	Steel, M3.5, Nickel plated	



### Specifications

Working Temperature	-40°C ~ +105°C
Insulation withstand Voltage	AC2000V at 1 minute
Insulation Resistance	500MΩ or more at DC500V
Wire range	22 ~ 12 AWG
Rated Torque Value	18.4 Kg - cm