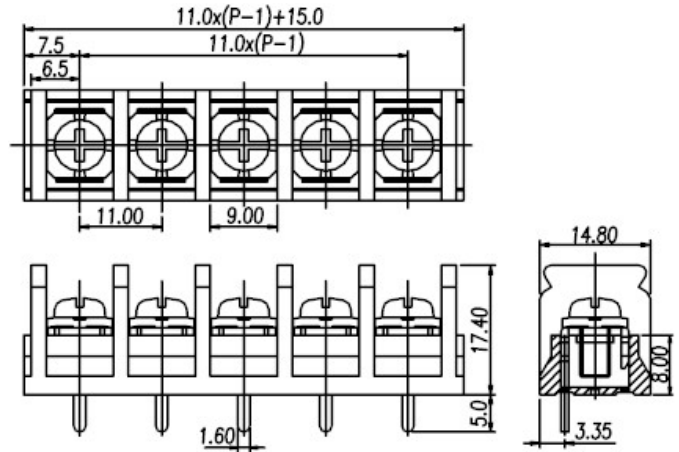


Barrier Style Terminal Blocks / DT-6



DT-6N-B02W-XX



Pitch: 11.00mm

ORDER GUIDE

DT - 6 **- B02W -**

Pole size: 02~09P

G : With cover

N : Without cover

Approval



FW2

Materials

Rated voltage	600V
Rated current	28A
Plastic Housing	PBT, UL94V-0, Black
Terminal	Brass, Tin plated
Screw	Steel, M4, Nickel plated



Specifications

Working Temperature	-40°C ~ +130°C
Insulation withstand Voltage	AC2000V at 1 minute
Insulation Resistance	1000MΩ or more at DC500V
Wire range	22 ~ 14 AWG
Rated Torque Value	12 Kg - cm