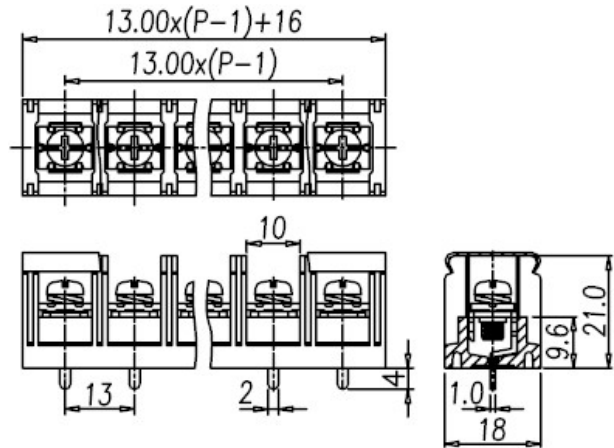
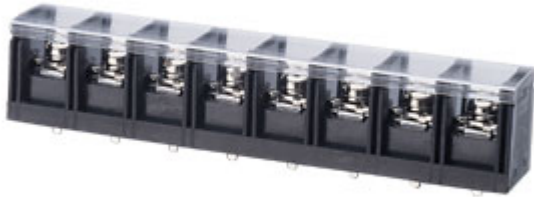


Barrier Style Terminal Blocks / DT-7



DT-7X-B01X-XX



Pitch: 13.00mm

ORDER GUIDE

DT - 7 - **01** -

- Pole size: 02~14P
- N : Round head screw
- W : Screw with washer
- A : Mount Ends
- B : Barrier Ends
- C : With cover
- N : Without cover

Approval



FW2

Materials

Rated voltage	600V
Rated current	40A
Plastic Housing	PBT, UL94V-0, Black
Terminal	Brass, Tin plated
Screw	Steel, M4, Nickel plated



Specifications

Working Temperature	-40°C ~ +120°C
Insulation withstand Voltage	AC2500V at 1 minute
Insulation Resistance	1000MΩ or more at DC500V
Wire range	18 ~ 8 AWG
Rated Torque Value	16 Kg - cm

TEL: +886-2-2908-0614

FAX: +886-2-2908-8549

E-mail: infor@dinkle.com.tw