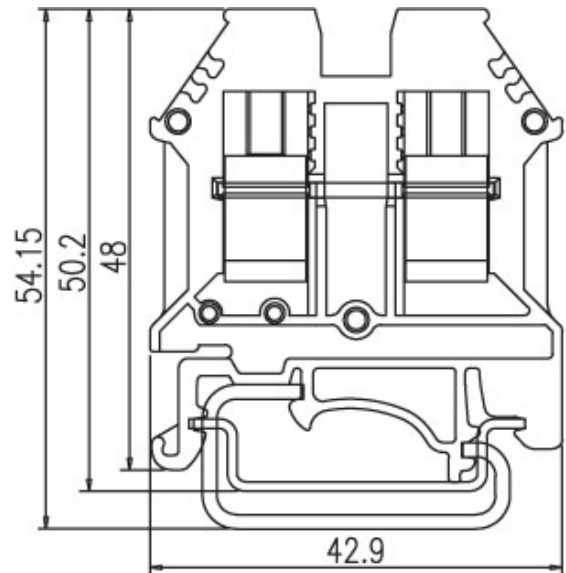
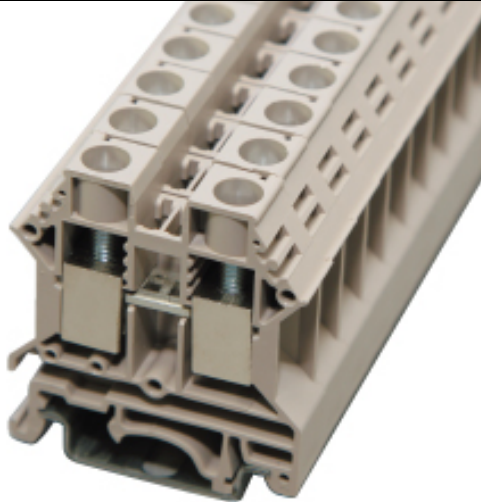


DIN Rail terminal blocks / DK..D series



DK10D







TxHxW 10x48x42.9

Approval		
Technical Data	UL	IEC
Rated voltage	600V	1000V
Rated current	60A	57A
Wire range		
Solid wire (AWG mm ²)	20~6	0.5~10
Stranded wire (AWG mm ²)	20~6	0.5~10
Rated surge voltage (UL/IEC/Max.)	2.2 / 3.5 / 8 KV	
Torque (Lb-in)	11.3	
Screw	M4	
Wire strip length	12~14mm	



Accessories	Cat. No.
End cover	DK10NC
Partition	
Small partition	DKNSPS-002
Cross jumper - central type	DSS10N
Cross jumper - cage inserting type	CSC-10XXN
Suitable plugs	
Marking label	TM12
Suitable rail	TS-35 TS-32
Tool	SDM4.0

Optional color	Cat. No.
	DK10D-RD
	DK10D-BL
	DK10D-BK
	DK10D-OR