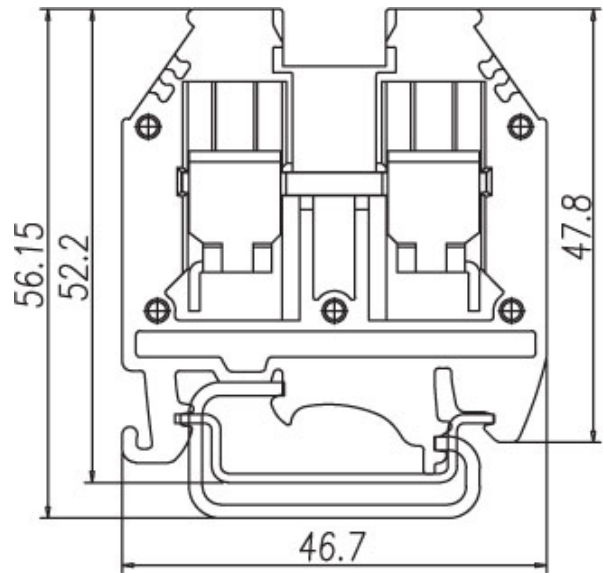
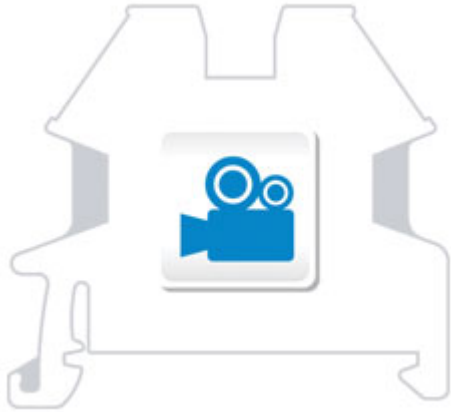


DIN Rail terminal blocks / DK series



DK16H







TxHxW 12x52.2x46.7

Approval		
Technical Data	UL	IEC
Rated voltage	600V	1000V
Rated current	100A	101A
Wire range		
Solid wire (AWG mm ²)	14~3	1.5~25
Stranded wire (AWG mm ²)	14~3	1.5~25
Rated surge voltage (UL/IEC/Max.)	2.2 / 3.5 / 8 KV	
Torque (Lb-in)	30.4	
Screw	M5	
Wire strip length	14~16mm	



Accessories	Cat. No.	
End cover	DK16HC	
Partition		
Small partition	DKSPS-006	
Cross jumper - central type	DS16	02P
		03P
		10P
Cross jumper - cage inserting type	CSC-16	02P
		03P
		10P
Suitable plugs		
Marking label	TM13	
Suitable rail	TS-35	
	TS-32	
Tool	SDM5.5	

Optional color	Cat. No.
	DK16H-RD
	DK16H-BL
	DK16H-BK
	DK16H-OR