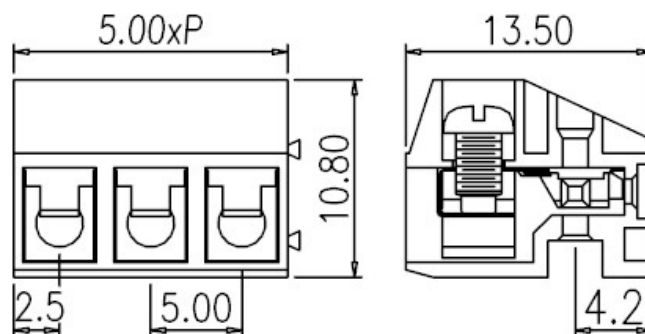




ED130F



Pitch: 5.00mm

Approval		
Technical Data	UL	IEC
Rated voltage	300V	250V
Rated current	7A	10A
Wire range		1.5mm ²
Solid wire (AWG)	22~14	
Stranded wire (AWG/mm ²)	22~14	
Rated surge voltage (UL/IEC/Max.)	1.6 / 2 / 4 KV	
Torque (Lb-in)	2.7	
Screw	M2.5	
Wire strip length	5~6mm	
Pole	Cat. No.	
02	ED130F-02P	
03	ED130F-03P	