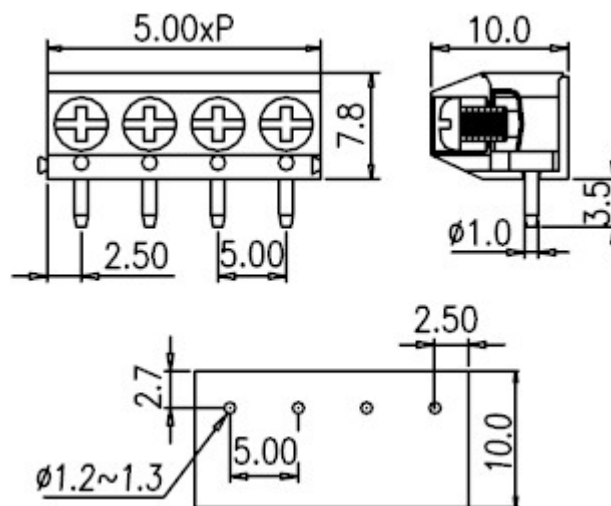
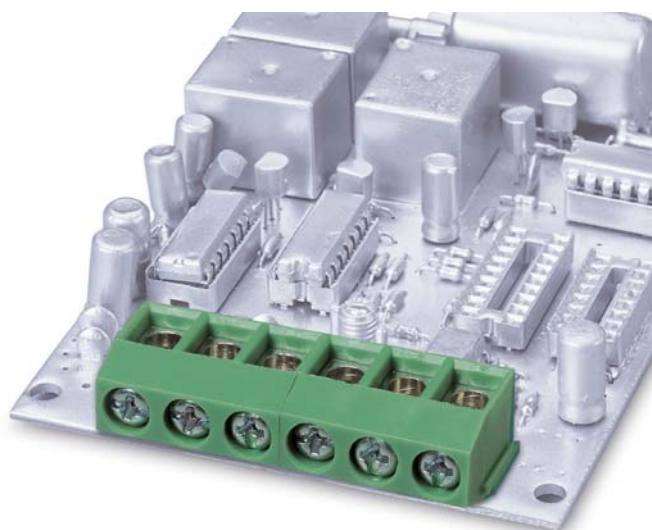



ED500R



Pitch: 5.00mm

Approval		
Technical Data	UL	IEC
Rated voltage	300V	250V
Rated current	16A	10A
Wire range		2.5mm ²
Solid wire (AWG)	24~14	
Stranded wire (AWG/mm ²)	24~14	
Rated surge voltage (UL/IEC/Max.)	1.6 / 2 / 4 KV	
Torque (Lb-in)	3.5	
Screw	M2.5	
Wire strip length	5~6mm	
Pole	Cat. No.	
02	ED500R-02P	
03	ED500R-03P	