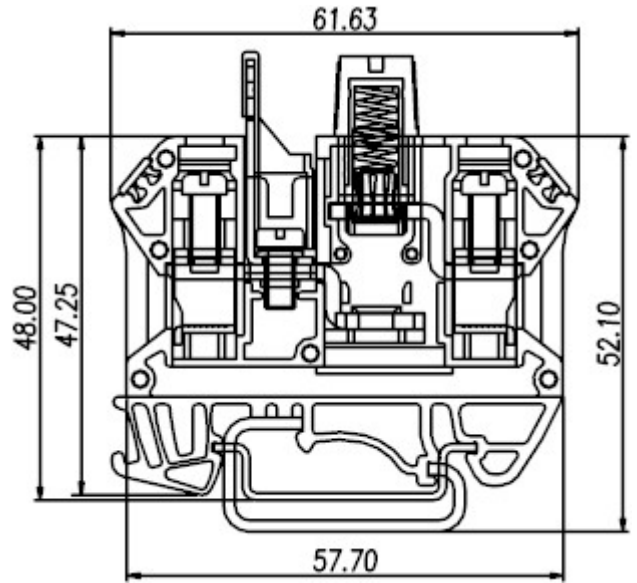


DIN Rail terminal blocks / FDK series



FDK10A



TxHxW 12x47.25x61.6

Approval		
Technical Data	UL	IEC
Rated voltage	600V	660V
Rated current	6.3A	6.3A
Nom voltage		
Solid wire (AWG mm ²)	22~6 (65A)	1.5~10
Stranded wire (AWG mm ²)	22~6	1.5~10
Rated surge voltage (UL/IEC/Max.)	1.6 / 2.5 / 6 KV	
Torque (Lb-in)	15.6	
Screw	M4	
Wire strip length	12~16mm	

Accessories	Cat. No.
End cover	
Partition	
Small partition	
Cross jumper - central type	
Cross jumper - cage inserting type	
Busbar	
Suitable plugs	
Marking label	TM20
Suitable rail	TS-35
	TS-32
Fuse	5×20mm
Tool	SDM4.0