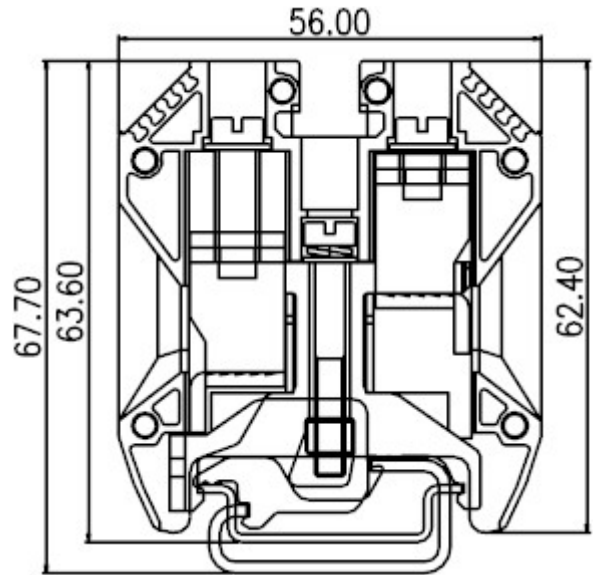
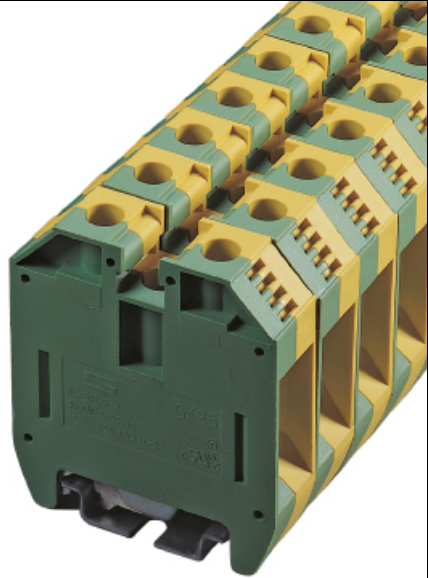





DIN Rail terminal blocks / GK series



GK35



TxHxW 16.0x62.4x56

Approval	  	
Technical Data	UL	IEC
Rated voltage		1000V
Rated current	115A	125A
Wire range		
Solid wire (AWG mm ²)	12~2	4~35
Stranded wire (AWG mm ²)	12~2	4~35
Rated surge voltage (UL/IEC/Max.)	/ / 8 KV	
Torque (Lb-in)	49.5	
Screw	M6	
Wire strip length	14~18mm	

TEL: +886-2-2908-0614

FAX: +886-2-2908-8549

E-mail: infor@dinkle.com.tw