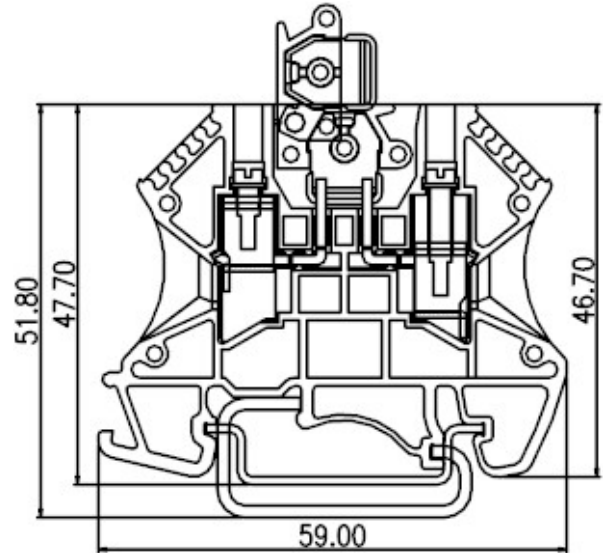
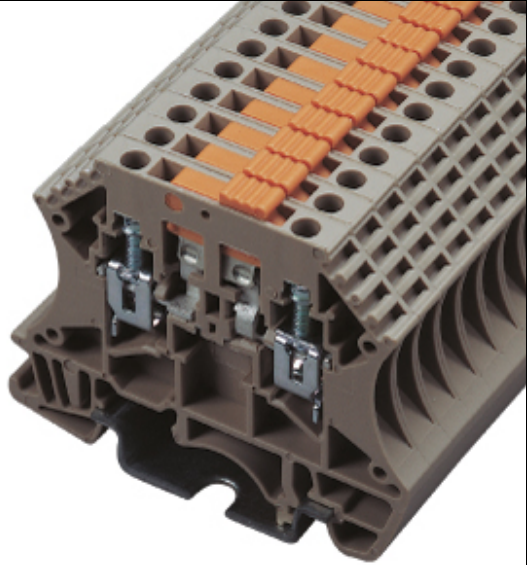


DIN Rail terminal blocks / KDK series



KDK2.5



TxHxW 5.1x46.7x59

Approval	UL	
Technical Data	UL	IEC
Rated voltage	300V	800V
Rated current	10A	16A
Wire range		
Solid wire (AWG mm ²)	26~14	0.5~2.5
Stranded wire (AWG mm ²)	26~14	0.5~2.5
Rated surge voltage (UL/IEC/Max.)	1.6 / 3 / 6 KV	
Torque (Lb-in)	7	
Screw	M3	
Wire strip length	9~10mm	



Accessories	Cat. No.	
End cover	DK2.5C	
Partition	DKSPS-002	
Small partition		
Cross jumper - central type		
Cross jumper - cage inserting type	CSC-2.5	02P
		03P
		10P
Busbar		
Suitable plugs		
Marking label	TM26	
Suitable rail	TS-35	
	TS-32	
Tool	SDM3.0	