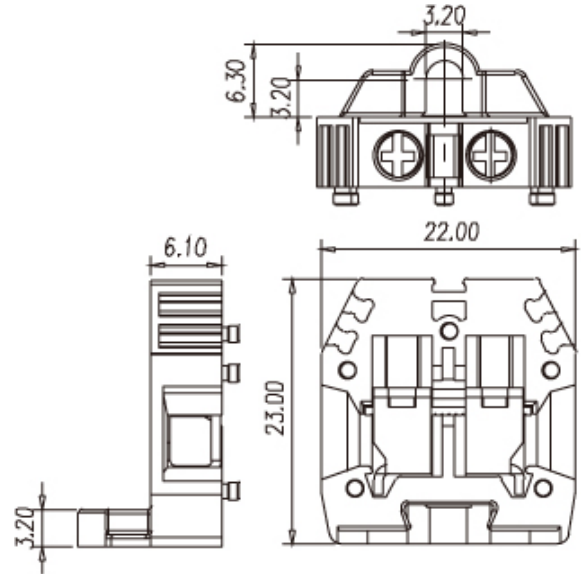
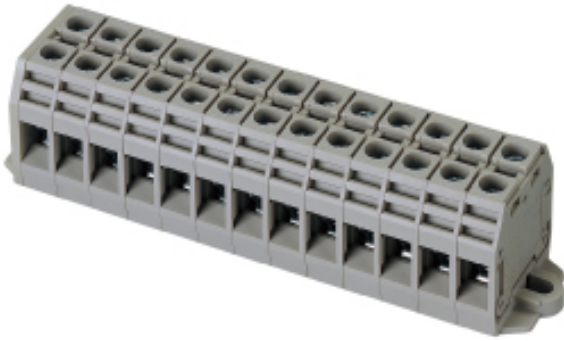


DIN Rail terminal blocks / PMN series



PM4N





TxHxW 6.1x22x23

Approval		
Technical Data	UL	IEC
Rated voltage	300V	500V
Rated current	30A	32A
Wire range		
Solid wire (AWG mm ²)	22~10	0.5~4
Stranded wire (AWG mm ²)	22~10	0.5~4
Rated surge voltage (UL/IEC/Max.)	1.6 / 2.5 / 7 KV	
Torque (Lb-in)	7	
Screw	M3	
Wire strip length	6~8mm	



Accessories	Cat. No.
End cover	PM4NC
Partition	
Small partition	
Cross jumper – cageinserting type	CSC-4XXS
Marking label	TM21
Suitable rail	
Tool	SDM3.0

Pole	Cat. No.
1P	PM4N-01P
With end cover	PM4NC
02	PM4N-02P
03	PM4N-03P
04	PM4N-04P
06	PM4N-06P
08	PM4N-08P
:	:
:	:

Optional color	Cat. No.
	PM4N-XXP-OR
	PM4N-XXP-YG