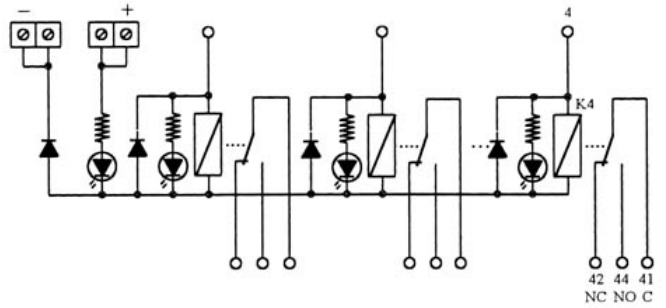
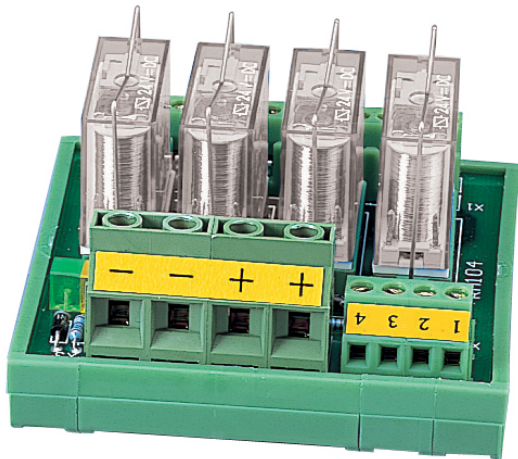


Interface Module / Relay Module Series



RM 104-01



Type		L	W	H
RM 104-01		78.5	87	64

Coil	
NC	1
NO	1
Rated Voltage	24V
Rated Current	16A
Max. breaking Voltage	400V AC
Contact Material	Ag Cdo
Suitable wire	

TEL: +886-2-2908-0614

FAX: +886-2-2908-8549

E-mail: infor@dinkle.com.tw