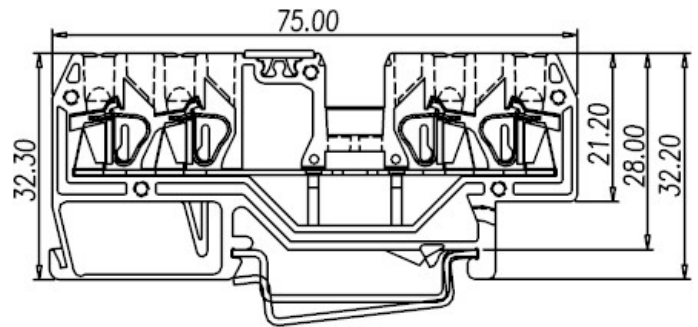
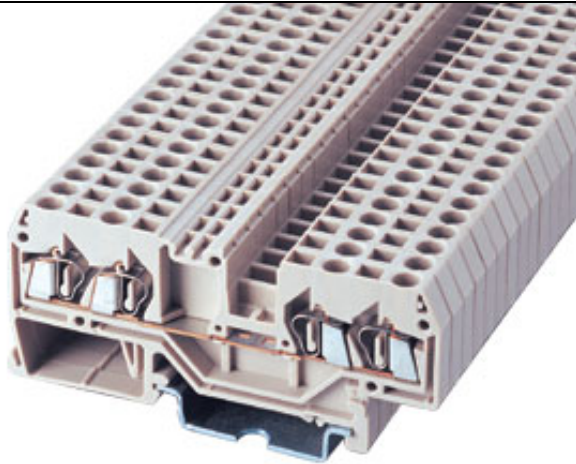


DIN Rail terminal blocks / SK series



S4K2.5







TxHxW 5.1x32.3x75

Approval		
Technical Data	UL	IEC
Rated voltage	600V	800V
Rated current	20A	24A
Wire range		
Solid wire (AWG mm ²)	28~12	0.5~2.5
Stranded wire (AWG mm ²)	28~12	0.5~2.5
Rated surge voltage (UL/IEC/Max.)	2.2 / 3 / 8 KV	
Torque (Lb-in)		
Screw		
Wire strip length	8~9mm	



Accessories	Cat. No.	
End cover	S4K2.5C	
Partition		
Small partition		
Cross jumper - central type	DSS2.5	02P
		03P
		10P
Cross jumper - cage inserting type		
Suitable plugs		
Marking label	TM20	
Suitable rail	TS-35	
Tool	SDM3.5	

Optional color	Cat. No.
	S4K2.5-RD
	S4K2.5-BL
	S4K2.5-BK
	S4K2.5-OR