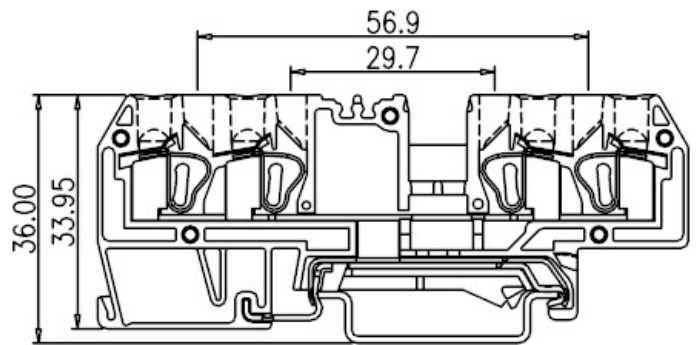
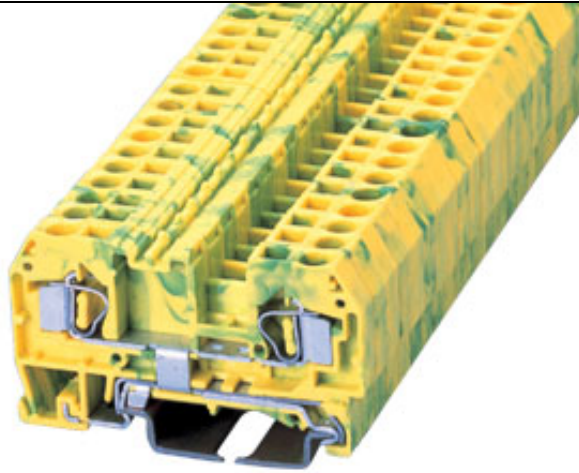


**DIN Rail terminal blocks / SGK series**



**SGK4**



**TxHxW 6.1x34x58.9**

Approval	<b>UL</b>	
Technical Data	UL	IEC
Rated voltage		800V
Rated current	20A	32A
Wire range		
Solid wire (AWG   mm <sup>2</sup> )	26~12	0.5~4
Stranded wire (AWG   mm <sup>2</sup> )	26~12	0.5~4
Rated surge voltage (UL/IEC/Max.)	2.2 / 3 / 8 KV	
Torque (Lb-in)		
Screw		
Wire strip length	9~10mm	

Accessories	Cat. No.
End cover	SK4C-YG
Marking label	TM20

**TEL:** +886-2-2908-0614

**FAX:** +886-2-2908-8549

**E-mail:** [infor@dinkle.com.tw](mailto:infor@dinkle.com.tw)