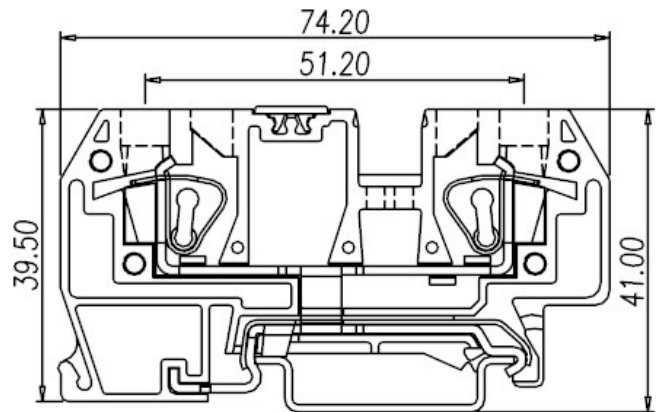
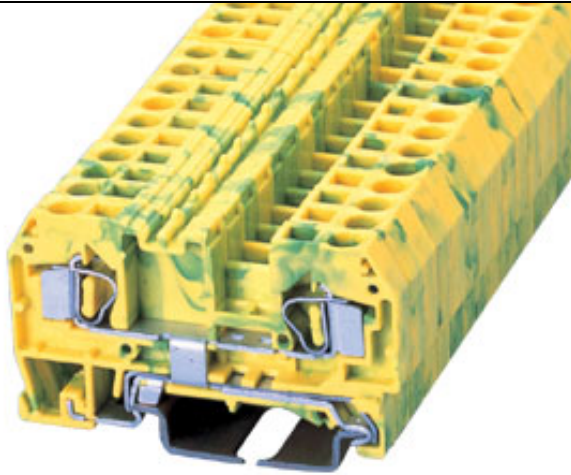


DIN Rail terminal blocks / SGK series



SGK6



TxHxW 8x39.5x74.2

Approval	UL	
Technical Data	UL	IEC
Rated voltage		800V
Rated current	30A	41A
Wire range		
Solid wire (AWG mm ²)	24~10	0.5~6
Stranded wire (AWG mm ²)	24~10	0.5~6
Rated surge voltage (UL/IEC/Max.)	2.2 / 3 / 8 KV	
Torque (Lb-in)		
Screw		
Wire strip length	12~13mm	

Accessories	Cat. No.
End cover	SK6C-YG
Marking label	TM22

TEL: +886-2-2908-0614

FAX: +886-2-2908-8549

E-mail: infor@dinkle.com.tw