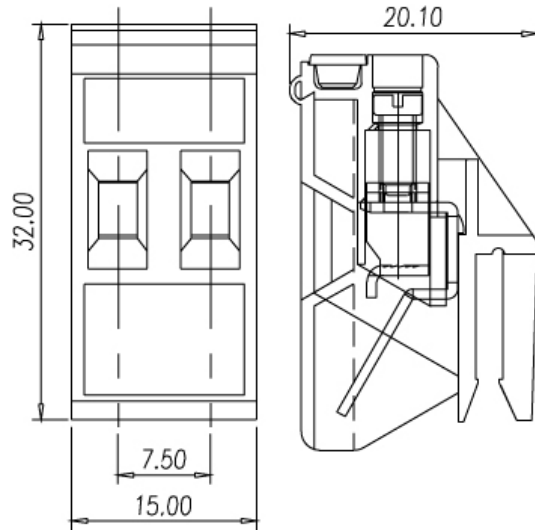
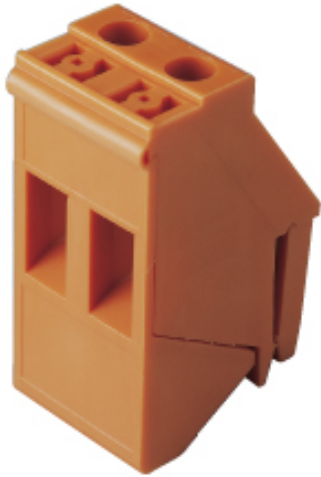


**DIN Rail terminal blocks / TKE series**



**TKE05**



**TxHxW 15x32x19.2**

Approval	<b>UL</b>	
Technical Data	UL	IEC
Rated voltage	600V	600V
Rated current	25A	30A
Wire range		
Solid wire (AWG   mm <sup>2</sup> )	30~10	
Stranded wire (AWG   mm <sup>2</sup> )	30~10	
Rated surge voltage (UL/IEC/Max.)	2.2 / 3 / 5 KV	
Torque (Lb-in)	4.7	
Screw		
Wire strip length		



Accessories	Cat. No.
Suitable rail	
Marking label	TM01

Optional color	Cat. No.
●	
●	
●	
●	
●	
●	
●	
●	