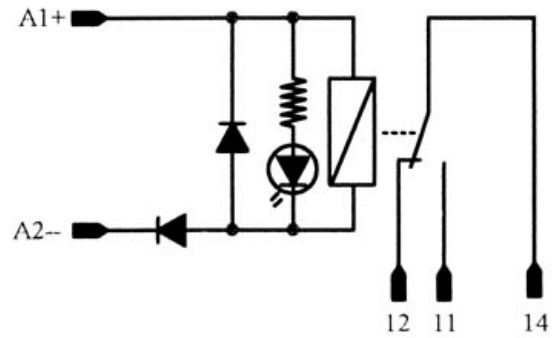
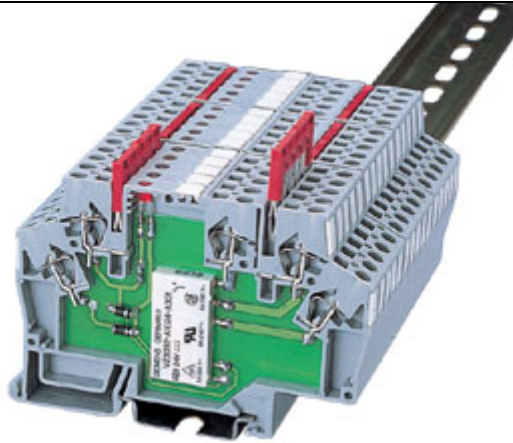


Interface Module / Miniature Relay Module Series



WSRM-101



Type	L	W	H
WSRM-101	91	7	56

Coil	
NC	1
NO	1
Rated Voltage	24V
Rated Current	5A
Max. breaking Voltage	250V AC
Contact Material	Ag Cdo
Suitable wire	28~12AWG

TEL: +886-2-2908-0614

FAX: +886-2-2908-8549

E-mail: infor@dinkle.com.tw