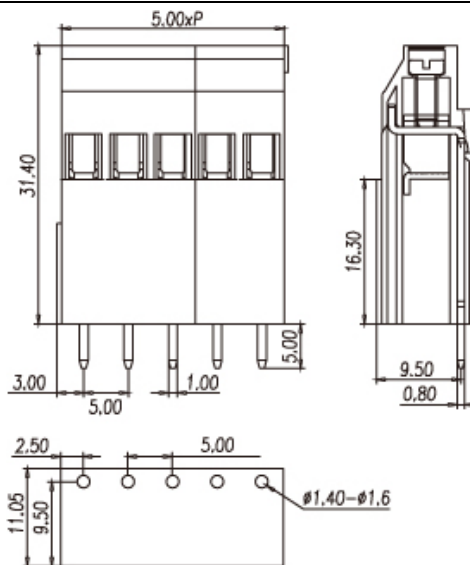
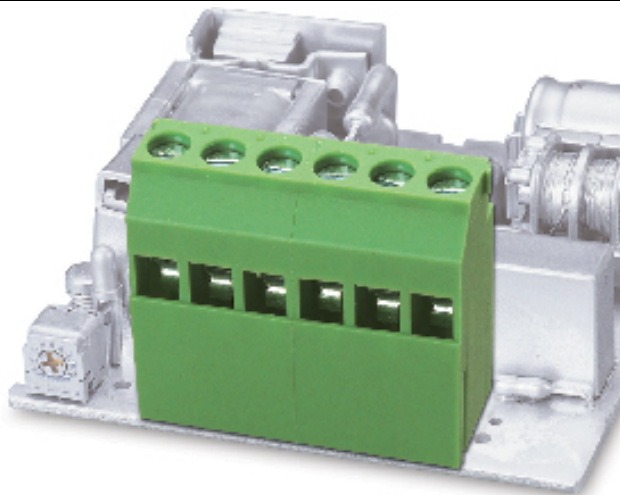





E2HK500V-..PAM



Pitch: 5.00mm

Approval		
Technical Data	UL	IEC
Rated voltage	300V	250V
Rated current	25A	24A
Wire range		2.5mm ²
Solid wire (AWG)	24~12	
Stranded wire (AWG/mm ²)	24~12	
Rated surge voltage (UL/IEC/Max.)	1.6 / / KV	
Torque (Lb-in)	4	
Screw	M2.5	
Wire strip length	6~7mm	
Pole	Cat. No.	
02	E2HK500V-02PAM	
03	E2HK500V-03PAM	