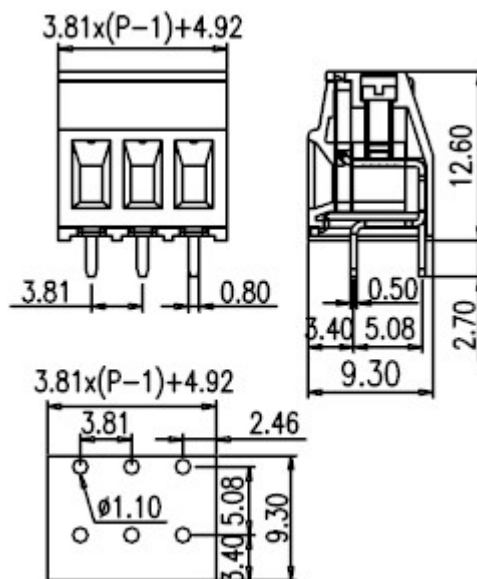
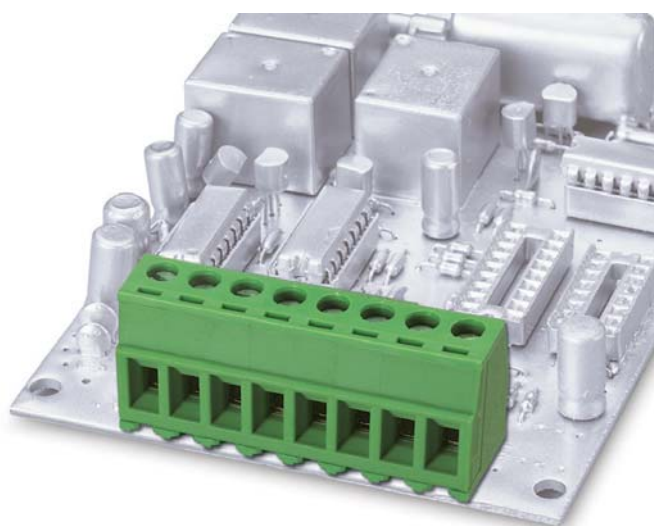



EHK381V



Pitch: 3.81mm

Approval		
Technical Data	UL	IEC
Rated voltage	300V	130V
Rated current	10A	8A
Wire range		1.5mm ²
Solid wire (AWG)	26~16	
Stranded wire (AWG/mm ²)	26~16	
Rated surge voltage (UL/IEC/Max.)	1.6 / 1.25 / KV	
Torque (Lb-in)	1.7	
Screw	M2	
Wire strip length		
Pole	Cat. No.	
02	EHK381V-02P	
:	:	
:	:	
16	EHK381V-16P	