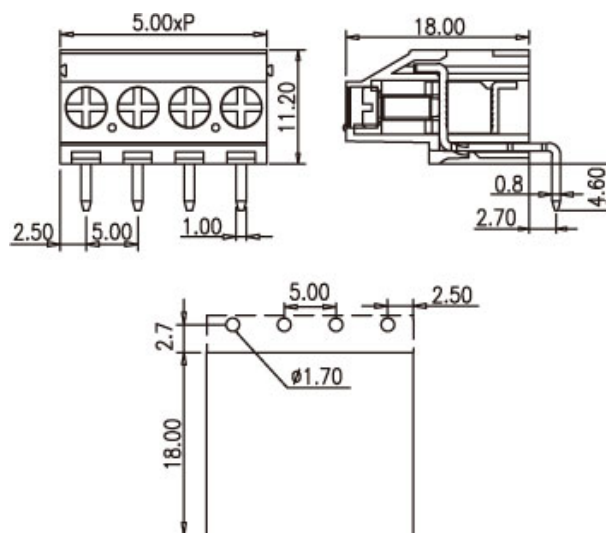
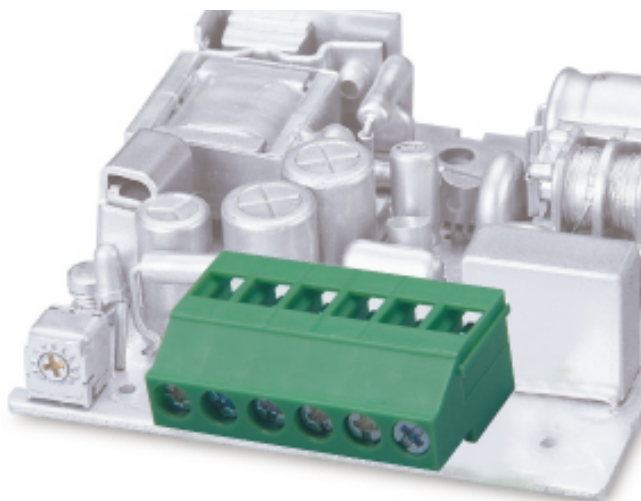




EHK500R



Pitch: 5.00mm

| Approval |  |  |
|--------------------------------------|---|---|
| Technical Data | UL | IEC |
| Rated voltage | 300V | 250V |
| Rated current | 25A | 24A |
| Wire range | | 2.5mm ² |
| Solid wire (AWG) | 24~12 | |
| Stranded wire (AWG/mm ²) | 24~12 | |
| Rated surge voltage (UL/IEC/Max.) | 1.6 / 2 / 4 KV | |
| Torque (Lb-in) | 4 | |
| Screw | M2.5 | |
| Wire strip length | 6~7mm | |
| Pole | Cat. No. | |
| 02 | EHK500R-02P | |
| 03 | EHK500R-03P | |
| | | |
| | | |