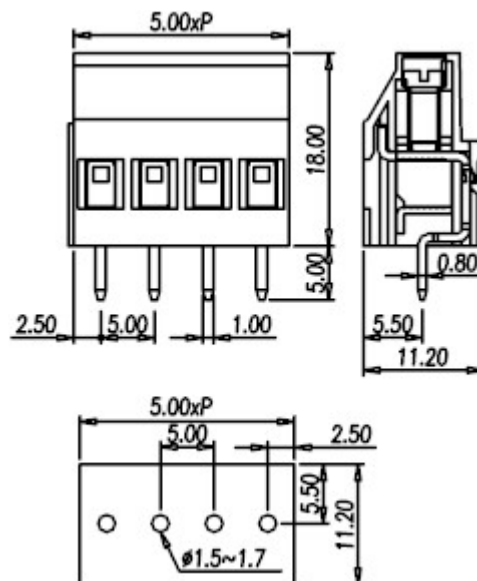
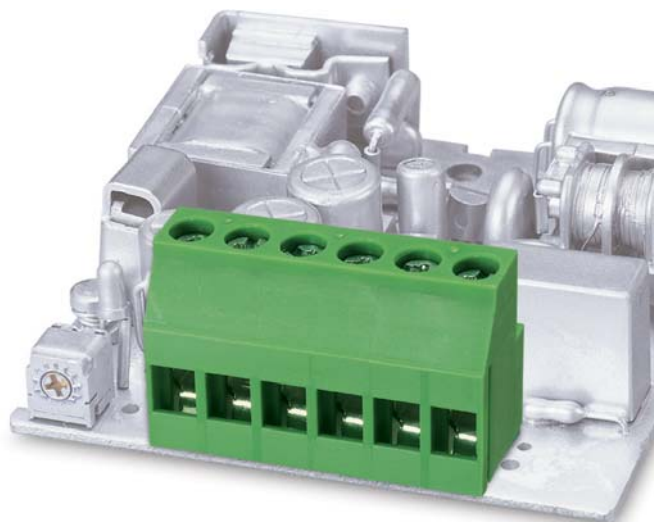




EHK500V

Pitch: 5.00mm

Approval	 	
Technical Data	UL	IEC
Rated voltage	300V	450V
Rated current	25A	24A
Wire range		2.5mm ²
Solid wire (AWG)	24~12	
Stranded wire (AWG/mm ²)	24~12	
Rated surge voltage (UL/IEC/Max.)	1.6 / 1.25 / 4 KV	
Torque (Lb-in)	4	
Screw	M2.5	
Wire strip length	6~7mm	
Pole	Cat. No.	
02	EHK500V-02P	
03	EHK500V-03P	