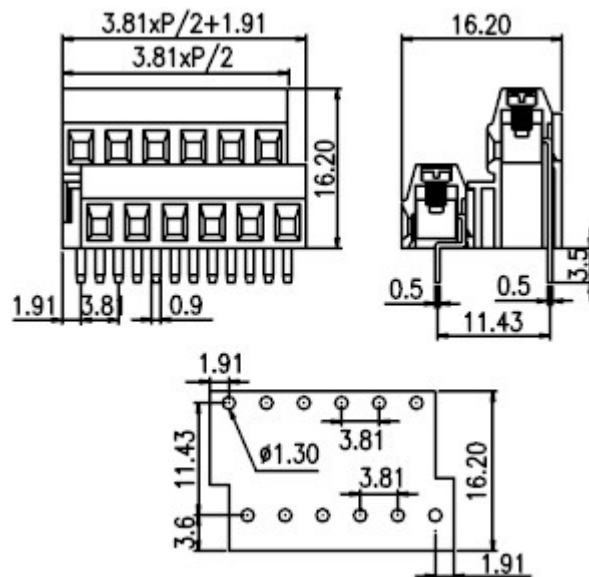
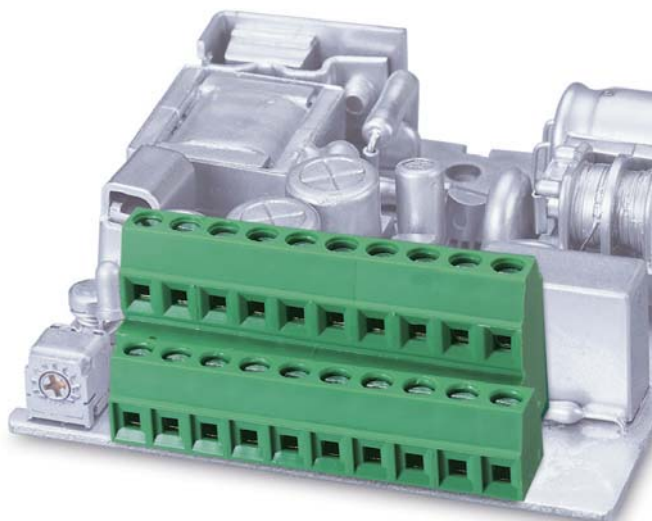




EK381V4L



Pitch: 3.81 mm

Approval		
Technical Data	UL	IEC
Rated voltage	300V	250V
Rated current	12A	12A
Wire range		1.5mm ²
Solid wire (AWG)	30~16	
Stranded wire (AWG/mm ²)	30~16	
Rated surge voltage (UL/IEC/Max.)	1.6 / 2 / 3 KV	
Torque (Lb-in)	1.73	
Screw	M2	
Wire strip length	6~7mm	
Pole	Cat. No.	
2x2	EK381V4L-04P	
:	:	
:	:	
24x2	EK381V4L-48P	