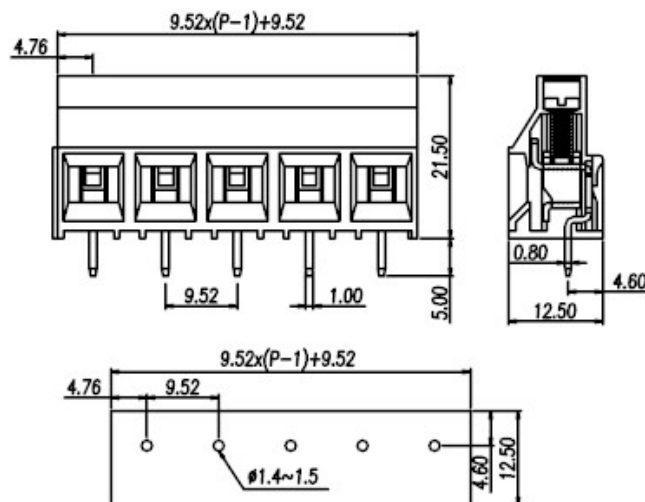
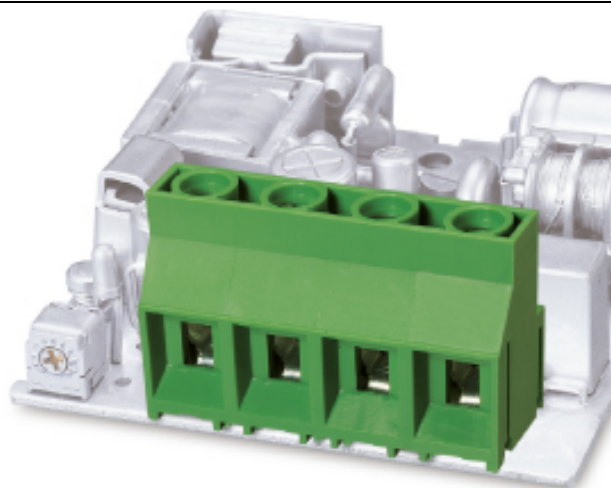



EK950V


Pitch: 9.52mm

Approval		
Technical Data	UL	IEC
Rated voltage	300V / 600V	750V
Rated current	30A / 5A	32A
Wire range		4.0mm ²
Solid wire (AWG)	26~10	
Stranded wire (AWG/mm ²)	26~10	
Rated surge voltage (UL/IEC/Max.)	2.2 / 3 / 4 KV	
Torque (Lb-in)	4.4	
Screw	M3	
Wire strip length	6~7mm	
Pole	Cat. No.	
02	EK950V-02P	
03	EK950V-03P	