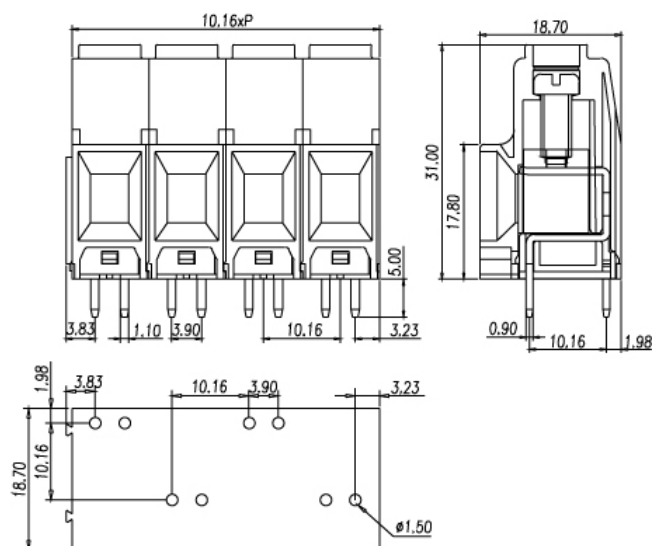
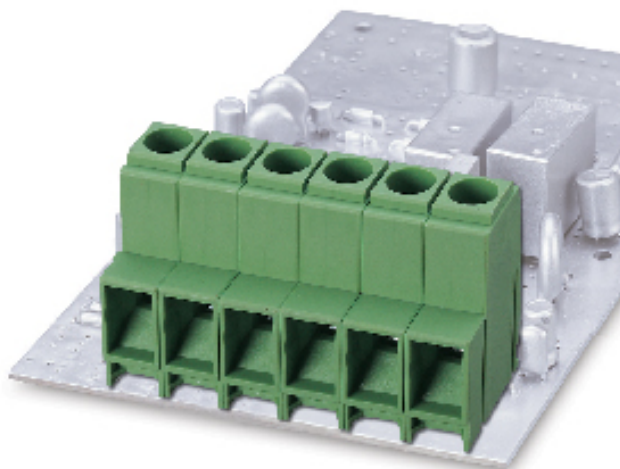


**EPK116VS**



**Pitch: 10.16mm**

Approval		
Technical Data	UL	IEC
Rated voltage	600V	1000V
Rated current	57A	76A
Wire range		16mm <sup>2</sup>
Solid wire (AWG)	20~6	
Stranded wire (AWG/mm <sup>2</sup> )	20~6	
Rated surge voltage (UL/IEC/Max.)		
Torque (Lb-in)		10.5
Screw		M4
Wire strip length		12mm
Pole	Cat. No.	
02	EPK116VS-02P	
:	:	
:	:	
16	EPK116VS-16P	