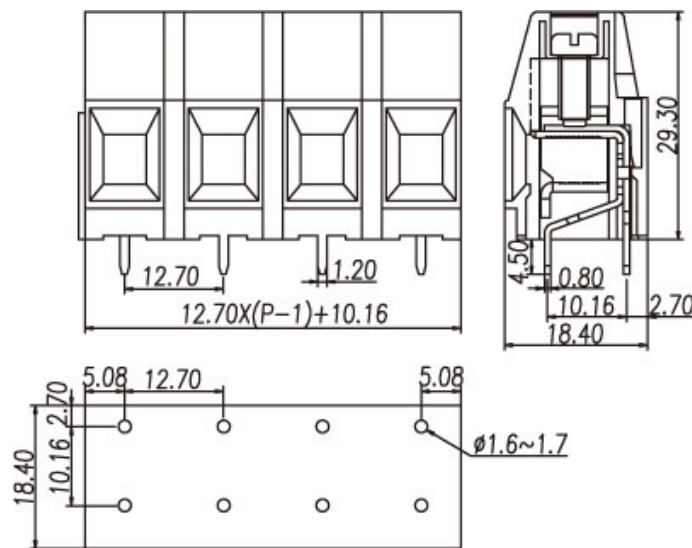
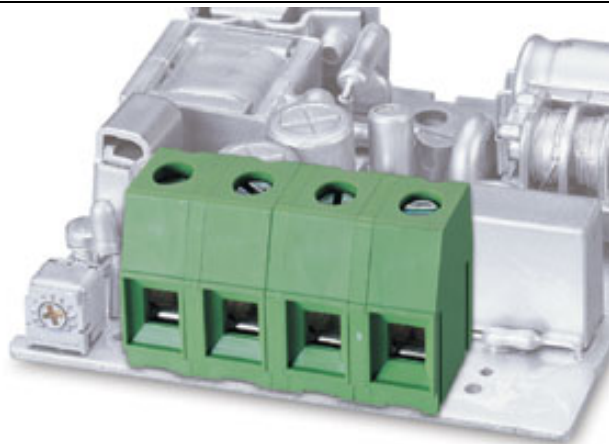






ESK116V-..P2



Pitch: 12.70mm

Approval	 	
Technical Data	UL	IEC
Rated voltage	600V	1000V
Rated current	65A	57A
Wire range		
Solid wire (AWG)	20~6	
Stranded wire (AWG/mm ²)	20~6	
Rated surge voltage (UL/IEC/Max.)		
Torque (Lb-in)	15.6	
Screw	M4	
Wire strip length		
Pole	Cat. No.	
01	ESK116V-01P2	