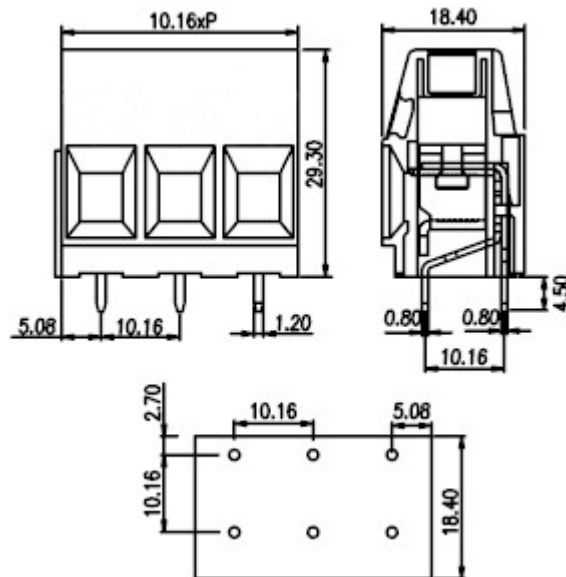
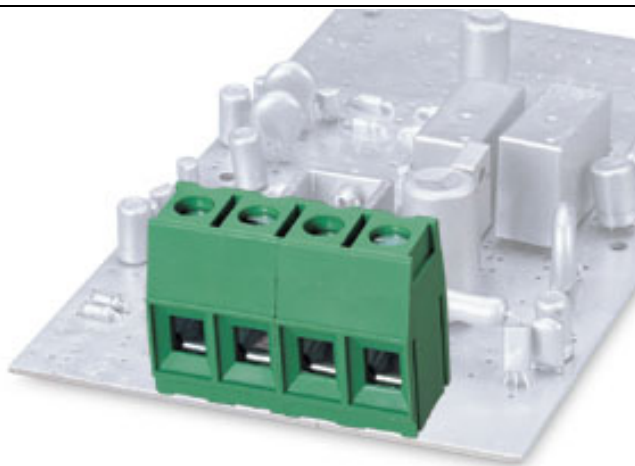







ESK116V



Pitch: 10.16mm

Approval	  	
Technical Data	UL	IEC
Rated voltage	300V / 600V	1000V
Rated current	65A / 5A	57A
Wire range		10mm ²
Solid wire (AWG)	20~6	
Stranded wire (AWG/mm ²)	20~6	
Rated surge voltage (UL/IEC/Max.)	2.2 / 3 / 4 KV	
Torque (Lb-in)	15.6	
Screw	M4	
Wire strip length	10~11mm	
Pole	Cat. No.	
02	ESK116V-02P	
03	ESK116V-03P	