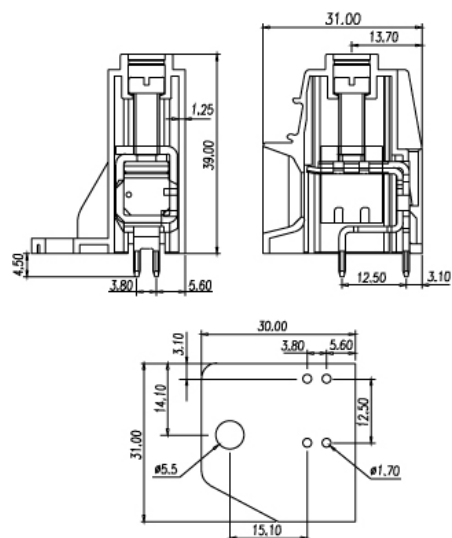
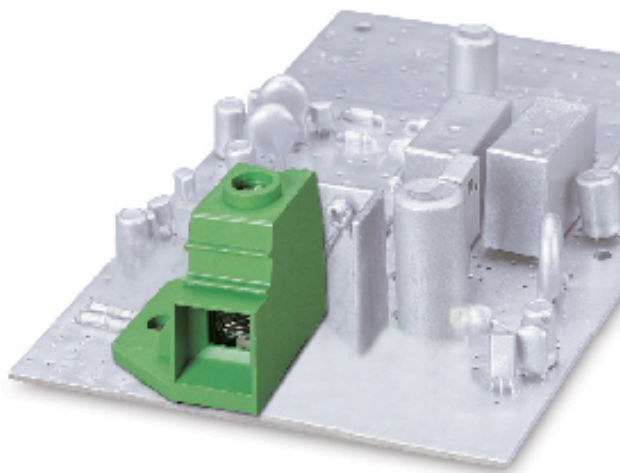




ESK150VM-01P



Pitch: 15.00mm

Approval		
Technical Data	UL	IEC
Rated voltage	600V	1000V
Rated current	115A	125A
Wire range		35mm ²
Solid wire (AWG)	20~2	
Stranded wire (AWG/mm ²)	20~2	
Rated surge voltage (UL/IEC/Max.)	2.2 / / KV	
Torque (Lb-in)	30.5	
Screw	M5	
Wire strip length	18mm	
Pole	Cat. No.	
01	ESK150VM-01P	