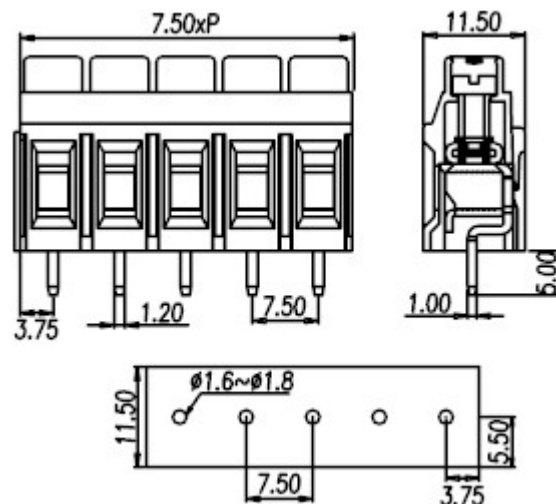





ESK750V



Pitch: 7.50mm

Approval	  	
Technical Data	UL	IEC
Rated voltage	600V / 300V	750V
Rated current	5A / 30A	32A
Wire range		4.0mm ²
Solid wire (AWG)	24~10	
Stranded wire (AWG/mm ²)	24~10	
Rated surge voltage (UL/IEC/Max.)	2.2 / 3 / 4 KV	
Torque (Lb-in)	12.1	
Screw	M3.5	
Wire strip length	10~11mm	
Pole	Cat. No.	
02	ESK750V-02P	
:	:	
:	:	
12	ESK750V-12P	