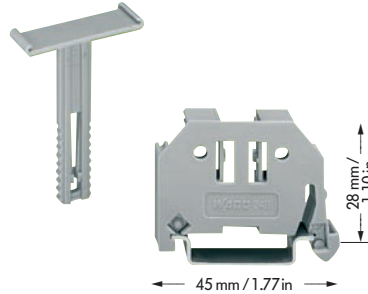


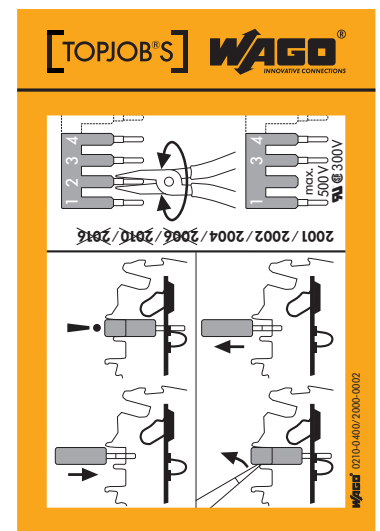
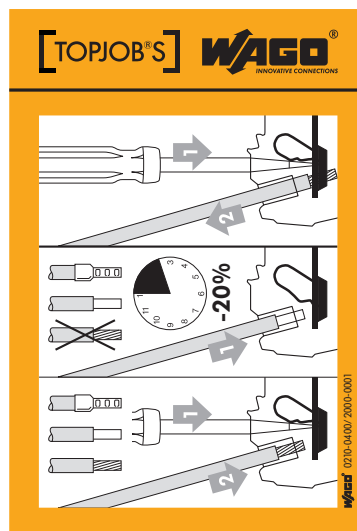
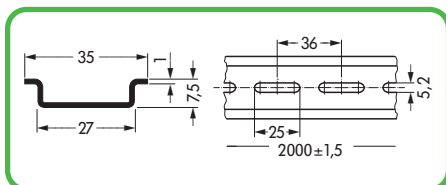
# Mounting Accessories Carrier Rails and Stickers for Operating Instructions

<b>TOPJOB®S group marker carriers</b>  Module width 5 mm / 0.197 in Module width 10 mm / 0.394 in Module width 15 mm / 0.591 in  for marker cards and self-adhesive marker cards	<b>Adjustable height group marker carriers</b>  End stop	<b>Screwdrivers with partially insulated shaft for optimum handling in terminal blocks</b>
--	--	--



Item No.	Pack.-unit pcs	Item No.	Pack.-unit pcs	Item No.	Pack.-unit pcs
<b>TOPJOB®S group marker carrier, snap-on type for jumper slot</b>		<b>Adjustable height group marker carriers, 249-119</b>		<b>Screwdriver with partially insulated shaft, type 1, blade 2.5 x 0.4 mm / 0.098 in x 0.016 in, suitable for series 2001</b>	
5 mm / 0.197 in wide <b>2009-191</b>	50	<b>Marker card . . . , from white cardboard, for self-marking, 100 markers per sheet</b>	50 (2 x 25)	<b>210-619</b>	1
10 mm / 0.394 in wide <b>2009-192</b>	50	<b>209-113</b>	1 sheet	<b>type 2, blade 3.5 x 0.5 mm / 0.137 in x 0.020 in, suitable for Series 2002, 2004</b>	<b>210-620</b>
15 mm / 0.591 in wide <b>2009-193</b>	50	<b>. . . or self-adhesive label, for self-marking, 7 x 25 pcs per sheet</b>	<b>210-345</b>	1 sheet	<b>type 3, blade 5.5 x 0.8 mm / 0.217 in x 0.031 in, suitable for Series 2006, 2010, 2016</b>
suitable for: WAGO Multi marking system WMB, miniature WSB Quick marking system, marker strips, 11 mm wide		<b>Protection cover, transparent</b>	<b>209-114</b>	50	<b>210-621</b>
for marker cards and self-adhesive marker cards		<b>End stop, for DIN 35 rail</b>			
<b>2009-196</b>	50	6 mm / 0.236 in wide <b>249-116</b>	100 (4 x 25)	<b>Screwdrivers with partially insulated shaft, – set – types 1 – 3</b>	
		10 mm / 0.394 in wide <b>249-117</b>	50 (2 x 25)	<b>210-622</b>	1

<b>Carrier rail 35 x 7.5 mm, 1 mm / 0.039 in thick, acc. to EN 60715, Steel, I<sub>N</sub> 76 A (referred to a length of 1 m)</b>	<b>Operating sticker for TOPJOB®S rail-mounted terminal blocks</b>  Size 80 mm x 101 mm	<b>Operating sticker for TOPJOB®S jumpers</b>  Size 80 mm x 101 mm
---	---	--



Item No.	Pack.-unit pcs	Item No.	Pack.-unit pcs	Item No.	Pack.-unit pcs
2 m / 6'6" long		<b>Operating sticker, for TOPJOB®S rail-mounted terminal blocks</b>		<b>Operating sticker, for TOPJOB®S jumpers</b>	
<b>Steel rail 35 x 7.5 mm, 1 mm / 0.039 in thick unslotted</b>	<b>210-113</b>	Series 2001/2002/2004/2006/2010/2016		Series 2001/2002/2004/2006/2010/2016	
<b>Steel rail 35 x 7.5 mm, 1 mm / 0.039 in thick slotted</b>	<b>210-112</b>	<b>210-400/2000-0001</b>	100	<b>210-400/2000-0002</b>	100